

<b>PanelView 550 Monochrome Terminals</b>	<b>Cat. No. Keypad<sup>2,3,4</sup></b>	<b>Cat. No. Keypad &amp; Touch<sup>2,3,4</sup></b>	<b>Cat. No. Touch<sup>2</sup></b>
DH-485 Communication Ports <sup>1</sup> . . . . .	2711-K5A2 . . . . .	2711-B5A2 . . . . .	2711-T5A2L1
DH-485 Communication & RS-232 Printer Port <sup>1</sup> . . . . .	2711-K5A3 . . . . .	2711-B5A3 . . . . .	2711-T5A3L1
RS-232 (DH-485) Communication Port <sup>1</sup> . . . . .	2711-K5A5 . . . . .	2711-B5A5 . . . . .	2711-T5A5L1
RS-232 (DH-485) Communication & RS-232 Port <sup>1</sup> . . . . .	2711-K5A9 . . . . .	2711-B5A9 . . . . .	2711-T5A9L1
Remote I/O Communication & RS-232 Printer Port . . . . .	2711-K5A1 . . . . .	2711-B5A1 . . . . .	2711-T5A1L1
DH+ Communication & RS-232 Printer Port . . . . .	2711-K5A8 . . . . .	2711-B5A8 . . . . .	2711-T5A8L1
DeviceNet Communication & RS-232 Printer Port . . . . .	2711-K5A10 . . . . .	2711-B5A10 . . . . .	2711-T5A10L1
Profibus Communication & RS-232 Printer Port . . . . .	2711-K5A12 . . . . .	2711-B5A12 . . . . .	2711-T5A12L1
Modbus Communication & RS-232 Printer Port . . . . .	2711-K5A14 . . . . .	2711-B5A14 . . . . .	2711-T5A14L1
ControlNet Communication & RS-232 Printer Port . . . . .	2711-K5A15 . . . . .	2711-B5A15 . . . . .	2711-T5A15L1
RS-232 (DF1) Communication & RS-232 Printer Port . . . . .	2711-K5A16 . . . . .	2711-B5A16 . . . . .	2711-T5A16L1
EtherNet/IP Communication & RS-232 Printer Port . . . . .	2711-K5A20 . . . . .	2711-B5A20 . . . . .	2711-T5A20L1

<b>PanelView 600 Color Terminals</b>	<b>Cat. No. Keypad<sup>2</sup></b>	<b>Cat. No. Keypad &amp; Touch<sup>2</sup></b>	<b>Cat. No. Touch<sup>2</sup></b>
DH-485 Communication Ports <sup>1</sup> . . . . .	2711-K6C2 . . . . .	2711-B6C2 . . . . .	2711-T6C2L1
DH-485 Communication & RS-232 Printer Port <sup>1</sup> . . . . .	2711-K6C3 . . . . .	2711-B6C3 . . . . .	2711-T6C3L1
RS-232 (DH-485) Communication Port <sup>1</sup> . . . . .	2711-K6C5 . . . . .	2711-B6C5 . . . . .	2711-T6C5L1
RS-232 (DH-485) Communication & RS-232 Printer Port <sup>1</sup> . . . . .	2711-K6C9 . . . . .	2711-B6C9 . . . . .	2711-T6C9L1
Remote I/O Communication & RS-232 Printer Port . . . . .	2711-K6C1 . . . . .	2711-B6C1 . . . . .	2711-T6C1L1
DH+ Communication & RS-232 Printer Port . . . . .	2711-K6C8 . . . . .	2711-B6C8 . . . . .	2711-T6C8L1
DeviceNet Communication & RS-232 Printer Port . . . . .	2711-K6C10 . . . . .	2711-B6C10 . . . . .	2711-T6C10L1
Profibus Communication & RS-232 Printer Port . . . . .	2711-K6C12 . . . . .	2711-B6C12 . . . . .	2711-T6C12L1
Modbus Communication & RS-232 Printer Port . . . . .	2711-K6C14 . . . . .	2711-B6C14 . . . . .	2711-T6C14L1
ControlNet Communication & RS-232 Printer Port . . . . .	2711-K6C15 . . . . .	2711-B6C15 . . . . .	2711-T6C15L1
RS-232 (DF1) Communication & RS-232 Printer/Download Port . . . . .	2711-K6C16 . . . . .	2711-B6C16 . . . . .	2711-T6C16L1
EtherNet/IP Communication & RS-232 Printer Port . . . . .	2711-K6C20 . . . . .	2711-B6C20 . . . . .	2711-T6C20L1

<b>PanelView 1000 Grayscale Terminals</b>	<b>Cat. No. Keypad<sup>2</sup></b>	<b>Cat. No. Touch<sup>2</sup></b>
DH-485 Communication & RS-232 Printer Port <sup>1</sup> . . . . .	2711-K10G3 . . . . .	2711-T10G3
RS-232 (DH-485) Communication & RS-232 Printer Port <sup>1</sup> . . . . .	2711-K10G9 . . . . .	2711-T10G9
Remote I/O Communication & RS-232 Printer Port . . . . .	2711-K10G1 . . . . .	2711-T10G1
DH+ Communication & RS-232 Printer Port . . . . .	2711-K10G8 . . . . .	2711-T10G8
DeviceNet Communications & RS-232 Printer Port . . . . .	2711-K10G10 . . . . .	2711-T10G10
Profibus Communications & RS-232 Printer Port . . . . .	2711-K10G12 . . . . .	2711-T10G12
Modbus Communications & RS-232 Printer Port . . . . .	2711-K10G14 . . . . .	2711-T10G14
ControlNet Communications & RS-232 Printer Port . . . . .	2711-K10G15 . . . . .	2711-T10G15
RS-232 (DF1) Communications & RS-232 Printer/Download Port . . . . .	2711-K10G16 . . . . .	2711-T10G16
EtherNet/IP Communication & RS-232 Printer Port . . . . .	2711-K10G20 . . . . .	2711-T10G20

<b>PanelView 1000 Color Terminals</b>	<b>Cat. No. Keypad<sup>2</sup></b>	<b>Cat. No. Touch<sup>2</sup></b>
DH-485 Communication & RS-232 Printer Port <sup>1</sup> . . . . .	2711-K10C3 . . . . .	2711-T10C3
RS-232 (DH-485) Communication & RS-232 Printer Port <sup>1</sup> . . . . .	2711-K10C9 . . . . .	2711-T10C9
Remote I/O Communication & RS-232 Printer Port . . . . .	2711-K10C1 . . . . .	2711-T10C1
DH+ Communication & RS-232 Printer Port . . . . .	2711-K10C8 . . . . .	2711-T10C8
DeviceNet Communication & RS-232 Printer Port . . . . .	2711-K10C10 . . . . .	2711-T10C10
Profibus (1.5 Mb) Communication & RS-232 Printer Port . . . . .	2711-K10C12 . . . . .	2711-T10C12
Modbus Communication & RS-232 Printer Port . . . . .	2711-K10C14 . . . . .	2711-T10C14
ControlNet Communication & RS-232 Printer Port . . . . .	2711-K10C15 . . . . .	2711-T10C15
RS-232 (DF1) Communication & RS-232 Printer/Download Port . . . . .	2711-K10C16 . . . . .	2711-T10C16
EtherNet/IP Communication & RS-232 Printer Port . . . . .	2711-K10C20 . . . . .	2711-T10C20

<b>PanelView 1400 Color Terminals</b>	<b>Cat. No. Keypad</b>	<b>Cat. No. Touch</b>
DH-485 Communication & RS-232 Printer Port <sup>1</sup> . . . . .	2711-K14C3 . . . . .	2711-T14C3
RS-232 (DH-485) Communication & RS-232 Printer Port <sup>1</sup> . . . . .	2711-K14C9 . . . . .	2711-T14C9

(footnotes are on next page)

<b>PanelView 1400 Color Terminals (continued)</b>	<b>Cat. No. Keypad</b>	<b>Cat. No. Touch</b>
Remote I/O Communication & RS-232 Printer Port	2711-K14C1	2711-T14C1
DH+ Communication & RS-232 Printer Port	2711-K14C8	2711-T14C8
DeviceNet Communication & RS-232 Printer Port	2711-K14C10	2711-T14C10
Profibus (1.5 Mb) Communication & RS-232 Printer Port	2711-K14C12	2711-T14C12
Modbus Communication & RS-232 Printer Port	2711-K14C14	2711-T14C14
ControlNet Communication & RS-232 Printer Port	2711-K14C15	2711-T14C15
RS-232 (DF1) Communication & RS-232 Printer/Download Port	2711-K14C16	2711-T14C16
EtherNet/IP Communication & RS-232 Printer Port	2711-K14C20	2711-T14C20

<b>PanelBuilder32 Configuration Software for the PanelView Operator Terminals</b>	<b>Cat. No.</b>
English	2711-ND3
Spanish	2711-ND3ES
French	2711-ND3FR
Italian	2711-ND3IT
German	2711-ND3DE

### Accessories and Replacement Parts for PanelView Standard

<b>Memory Cards</b>	<b>Cat. No.</b>
256 Kbyte Flash Memory Card (contact factory for availability)	2711-NM11
1M PC Flash Memory Card (contact factory for availability)	2711-NM12
2M PC Flash Memory Card (contact factory for availability)	2711-NM13
4M PC Flash Memory Card	2711-NM14
8M Flash ATA Memory Card	2711-NM28
10M Flash ATA Memory Card	2711-NM15
16M Flash ATA Memory Card	2711-NM216
Memory Card Retainer for PanelView 550, 600, 900, 1000 Keypad or Keypad & Touch	2711-NMCC
Memory Card Retainer for PanelView 550 Touch Only	2711-NMCD
Memory Card Retainer for PanelView 300/600 Touch Only (contact factory for availability)	2711-NMCE

<b>Function Key Legend Kits</b>	<b>Cat. No.</b>
Function Key Legend Strips for the PanelView 300 Terminal (contact factory for availability)	2711-NF7
Function Key Legend Strips for the PanelView 550 Terminal	2711-NF1
Function Key Legend Strips for the PanelView 600 Terminal	2711-NF4
Function Key Legend Strips for the PanelView 900 Monochrome Terminal	2711-NF2A
Function Key Legend Strip for the PanelView 900 Color Terminal	2711-NF2C
Function Key Legend Strip for the PanelView 1000 Grayscale and Color Terminals	2711-NF6
Function Key Legend Strip for the PanelView 1400 Color Terminal	2711-NF5

### Mounting Hardware

Replacement Mounting Clips for the PanelView 600 Keypad or Keypad & Touch/900/1000 Terminals	2711-NP2
Replacement Mounting Clips for the PanelView 1400 Terminal	2711-NP1
Mounting Studs for the PanelView 1400 Terminal	2711-NP3

### Real-Time Clock Replacement

Real-Time Clock for PanelView 550 Keypad or Keypad & Touch (Series A through Series D)	2711-NB2
Real-Time Clock for PanelView 550 Keypad or Keypad & Touch (Series E or later), 600 Keypad or Keypad & Touch, 900, 1000, 1400 Terminals	2711-NB3
Real-Time Clock for PanelView 300 Keypad and PanelView 550/PanelView 600 Touch Screen Only Terminals	2711-NB4

1 PanelView standard terminals with DH-485 communications (2711-xxA2, -xxA3, -xxA5, -xxA9, -xxA19) or no RS-232 printer port (2711-xxx17, -xxx18, -xxx19) require application file uploads/downloads through the communication port. The RS-232 printer port on these terminals is for printing only.

2 Add L1 to the Catalog Number to order a PanelView 550, 600, or 1000 terminal with DC power instead of AC power (for example, 2711-K10C3L1). PanelView 300 Micro, 300, 550 Touch Only and 600 Touch Only terminals are 18 to 30V dc only.

3 Add L2 to the Catalog Number of the PanelView 550 Keypad or Keypad & Touch terminal to order a stainless steel terminal with AC power (for example, 2711-K5A5L2).

4 Add L3 to the Catalog Number of the PanelView 550 Keypad or Keypad & Touch terminal to order a stainless steel terminal with DC power (for example, 2711-B5A10L3).

# PanelView Standard

## Operator Interface Terminals



## Where Extraordinary Performance is the Standard

The Allen-Bradley PanelView Standard operator interface terminals are extraordinary performers in the real world of control system automation. You'll find them working hard around the world, supporting the automotive, food and beverage, pulp and paper, water and wastewater, and petrochemical industries. Each PanelView Standard terminal carries UL, cUL/CSA and CE certifications. They are rated for NEMA 4X (IP54, IP65) and approved for Class 1 Division 2 (flat-panel only) operation. These terminals are engineered for scalability, reliability, and compatibility for lower cost of ownership and improved productivity.

PanelView terminals exemplify Rockwell Automation's commitment to the highest standards of product dependability, technological innovation, and performance, and backed with the highest levels of customer service and support in the industry.

For a complete operator interface solution designed for rugged performance in a standalone or network environment, PanelView Standard is an extraordinary choice.



### PanelView Standard Terminal Features

- Over 140 terminal combinations to fit any operator interface application
- 14 display combinations, from 3.0" flat panel to 14" CRT, in color, grayscale, or monochrome, each designed for minimal installation depth with maximum-viewing angles
- Keypad, Touch Screen, or Keypad/Touch Screen combinations for convenient and flexible operator input
- RS-232 Printer Port to print alarms, alarm lists, triggered messages and triggered states of a multi-state indicator
- ATA PC Flash Memory Cards for fast application downloads, convenient storage of Universal Language Support fonts, and simplified firmware upgrades
- Field Replaceable Backlights to extend screen life of PanelView 550, 600, 900 and 1000 (color) terminals
- 100,000 hour LED backlight for PanelView 300 and 300 Micro



PanelView 300 – 1400 terminals support ATA Memory Card usage.

# High Performance Functions

## Advanced Alarm Capabilities

PanelView terminals can record and display important data on triggered alarms using an alarm list. With an alarm banner, operators and maintenance personnel are notified immediately to fault conditions.



Alarm banner alerts operators to fault conditions

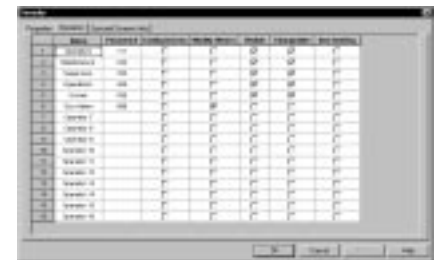


Alarm Lists record and display important alarm data

## Screen Security

Restrict access to application screens to authorized operators. Up to 16 passwords per application can be used to secure individual screens, allow access to configuration mode, and allow entry from screen saver or idle mode. Three screen security modes are available:

- **screen mode** – prompts user for password when entering a secured screen
- **login mode** – operator can move between any unsecured and secured screen for which the login password is valid
- **auto login mode** – same as login mode, but login and logout keys are not required



## Local Language Support

PanelView terminals can display application screens in over 46 languages. Use the built-in extended ASCII character set for languages such as French, Italian, German, and Spanish. Or with an external font file, stored on an installed ATA memory card, display languages or other fonts supported by Windows.

PanelView terminals now support up to 5 languages in a single application. Switch between English, French, Italian, German, and Spanish text while in run mode, without using an external ATA memory card.



PanelBuilder32 development software can be used to configure application screens with text in over 46 languages

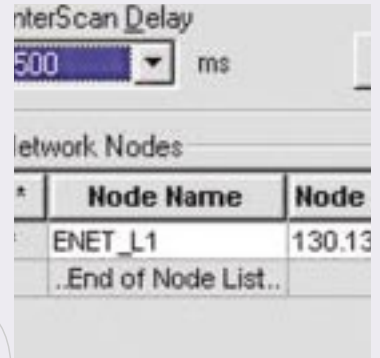
# PanelView Standard Communications

- **EtherNet/IP** – connects and communicates with a PLC-5E, SLC 5/05, ENI module, and Logix 5000 controllers over the 1756 Ethernet bridge
- **ControlNet Terminal** – certified ControlNet International compliant, communicates to multiple controllers on a ControlNet network, supporting scheduled and unscheduled PLC-5 and ControlLogix messages, and redundant cabling
- **DeviceNet Terminal** – certified DeviceNet compliant, connects and communicates at a device level on a DeviceNet link (125k, 250k or 500k baud) using server explicit, client explicit, I/O or 'Listen Only' messaging
- **Data Highway Plus Terminal** – communicates to single or multiple PLC, SLC 5/04, and ControlLogix controllers over an Allen-Bradley DH+ network
- **Remote I/O Terminal** – communicates to a PLC, SLC or ControlLogix system, supporting both discrete and block transferring of data
- **DH-485 Terminal** – communicates to single or multiple SLC or MicroLogix controllers on a DH-485 network
- **RS-232 (DH-485 protocol) Terminal** – communicates point-to-point to a MicroLogix or SLC controller as a dedicated connection for high priority data, as well as the AIC+ module for DH-485 network communication
- **RS-232 (DF1 protocol) Terminal** – communicates to a single SLC, PLC-5, or MicroLogix controller over a point-to-point DF1 link
- **Profibus Terminal** – uses Profibus DP standard protocol for high-speed (up to 1.5M) data transmission to Siemens® and other controllers
- **Modbus Terminal** – uses half duplex, master-slave protocol to communicate over non-Rockwell Automation control architectures including Modicon and GE® controllers

## PanelView with EtherNet/IP

The Allen-Bradley PanelView Standard operator interface family now offers EtherNet/IP

networking capability with real-time control, device configuration, diagnostic information and multi-vendor interoperability. Available on the PanelView 550, 550T, 600, 600T, 900, 1000, and 1400, customers can now realize a tighter communication between manufacturing and corporate operations as well as cost-effective plant-wide communication.



### PanelView EtherNet/IP Communications

PanelView with EtherNet/IP will support:

- PLC-5E
- SLC 5/05
- ControlLogix processor
- EtherNet/IP interfaces such as the PLC-5 EtherNet/IP expansion module (1785-ENET)
- EtherNet/IP interface module (ENI module 1761-NET-ENI)
- Other EtherNet/IP devices.

EtherNet/IP PanelView network addresses can be DHCP/BootP, DNS, or manually configured.

PanelView with EtherNet/IP provides users with:

- Open EtherNet/IP protocol
- Messaging services and I/O control
- RJ-45 media connector for 10/100 Mbps twisted pair
- 10/100 auto negotiation.

PanelView with EtherNet/IP, as a result, supplies every service that is essential in control and device-level networks.

# Allen-Bradley 2711-NB3



# PanelBuilder32 Software

## For quick and easy screen configuration

PanelBuilder32 software supports the entire family of PanelView Standard terminals, allowing easy conversion and reuse of existing applications. Designed to operate on Microsoft Windows (including Windows 2000) operating system, PanelBuilder32 features an intuitive development environment to simplify application design, reduce development time, maximize performance, and improve productivity.

- **Full complement of operator devices including push buttons, selectors, numeric and ASCII entry devices, diagnostic indicators, message displays, embedded numeric and ASCII variable displays, custom graphics and more**
- **Popup alarm messages for instant notification**
- **Analog gauges offer an intuitive display method of numeric values**
- **Cut, copy, paste, and tag import/export capabilities in and between various PanelView application files for additional time saving advantages**
- **Multiple application files open at same time**
- **Extensive ControlLogix support including 32-bit data types, backplane addressing, and native symbolic addressing**
- **Support of up to 5 languages in a single application through the text editor function**
- **Remote device configuration for application file upload/download over Local Area Networks (LAN) using RSLinx and ControlLogix Gateway**
- **Import/export capability for the RSLogix software family of programming software for Rockwell Automation Logic Controllers. Create control tags once and export to RSLogix for use in the Logic Controller program**
- **Extensive compatibility with Microsoft Office tools including Excel where control tags can be created and edited and then imported into PanelBuilder32 and RSLogix Logic Controller packages. Use Microsoft tools to create, sort and organize your control tags**
- **Copyable .PDF documentation, Screen Print as well as development screen capture tools for the speedy creation of OEM specific manuals and documentation**
- **Operator interface support for all of Rockwell Automation Logic controllers and networks**
- **Open, re-use and save legacy PanelView Standard applications. Maintains the value in your PanelView investment**
- **Data Tips show the control behind the object. Tool tips remind you of tool functions**



PanelBuilder32 Software is used to configure all PanelView Standard terminals

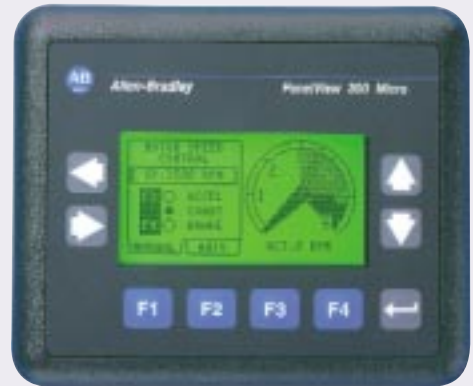


PanelView32 applications can easily migrate between terminals

## PanelView 300 Micro

The PanelView 300 Micro operator interface terminal is the newest addition to the PanelView Standard family. Just 5.2" x 4.4" and only 1.4" installed depth, this compact terminal is ideal for customers who need a space-saving and low-cost yet feature-rich solution. It is designed for low-end graphical or text only operator interface applications, and includes many of the same hardware features found in the PanelView Standard family.

- **3" diagonal transfective LCD (LED back-lit) monochrome graphic display, ideal for high ambient light applications**
- **100,000 hour LED backlight life**
- **128x64 pixel resolution**
- **4 function keys and configurable cursor keys**
- **1.4" (35mm) installed depth**
- **Power 11 – 30V dc**
- **DF1 or DH-485 (RS-232) communication via 8-pin mini-DIN port**



## PanelView 300 Keypad

The PanelView 300 Keypad operator interface terminal is a popular OEM choice.

Designed for low-end graphical or text only operator interface applications, this terminal is faithful to the features found on PanelView Standard terminals. The LCD monochrome graphic display and feature-rich design allow for high-performance in applications that demand a compact, less expensive interface.

- **3" diagonal transfective LCD (LED back-lit) monochrome graphic display, ideal for high ambient light applications**
- **100,000 hour LED backlight life**
- **128x64 pixel resolution**
- **8 relegendable function keys, numeric keypad, cursor control keys**
- **2.7" (69mm) installed depth**
- **Power 18–32V dc**
- **DeviceNet, DF1, and DH-485 (RS-232) communication options**



## PanelView 550

### Keypad, Keypad/Touch, Touch-Only

These PanelView 550 Keypad, Keypad/Touch and Touch-only pixel-graphic display terminals are cost-effective ways for end-users and OEMs to incorporate high performance operator interface devices into applications or machines where panel space is limited. These terminals have a minimum installed depth and flat panel monochrome display designed to lower the cost of ownership without losing PanelView family functionality.

- **5.5" diagonal LCD monochrome display**
- **256x128 pixel resolution**
- **10 relegendable function keys, numeric keypad, cursor control keys**
- **128 touch cells (combo terminal only)**
- **3.4" (86mm) installed depth**
- **Power 85-264V ac or 18-32V dc**



## PanelView 600

### Keypad, Keypad/Touch, Touch-Only

The PanelView 600 Keypad, Keypad/Touch, and Touch-only terminals are high performance color terminals for applications where color graphic displays are required and panel space is limited.

- **6.0" diagonal TFT active matrix color display**
- **320x234 pixel resolution**
- **10 relegendable function keys, numeric keypad, cursor control keys**
- **Power 85-264V ac or 18-32V dc**



## PanelView 1000

### Color Keypad or Touch Grayscale Keypad or Touch

The PanelView 1000 is Rockwell Automation's original entry in the "medium size, color, flat panel" operator interface segment. Its flat panel color or grayscale display, modest installed depth, operator input capabilities, alarm functions, and communication options have made it a popular workhorse in the growing operator interface market.

Today, the PanelView 1000 shares the same comprehensive features found throughout the Allen-Bradley PanelView Standard family. Choose between keypad or touch screen input with either color or grayscale display, and nine different communication options. All are ready to network with the Allen-Bradley family of controllers as well as other PLC brands.

These terminals have the same robust PanelView Standard hardware characteristics for installation in a wide range of environments and industrial applications.



- **Color version: 10.4" diagonal TFT active matrix color display; VGA 640x480 pixel resolution**
- **Grayscale version: 10.4" diagonal electro-luminescent (EL) display; 640x480 pixel resolution**
- **Keypad version: 16 relegendable function keys, numeric keypad, cursor control keys**
- **Touch screen version: 384 touch cells**
- **3.5" (90mm) installed depth**
- **Power 85-264V ac or 18-32V dc**

## PanelView 1400

### Keypad or Touch

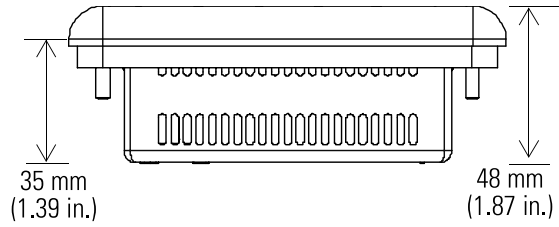
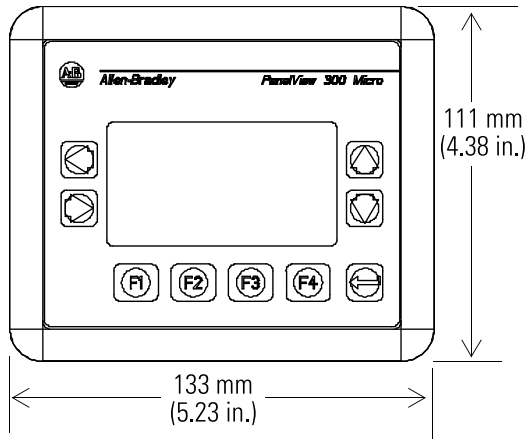
The PanelView 1400 is Rockwell Automation's largest color display operator interface terminal. The maximum display angle, multiple operator input capabilities, sophisticated alarm functions, and communication options make it a popular workhorse in a variety of industrial control applications.

- **14" diagonal CRT color display**
- **SVGA 800x600 pixel resolution**
- **Keypad version: 21 relegendable function keys, numeric keypad, cursor control keys**
- **Touch screen version: 384 touch cells**
- **14.7" (370mm) installed depth**
- **Power 85-264V ac**

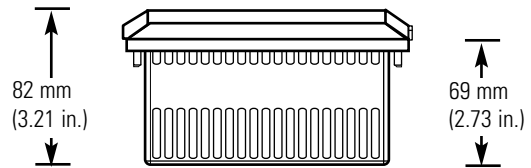
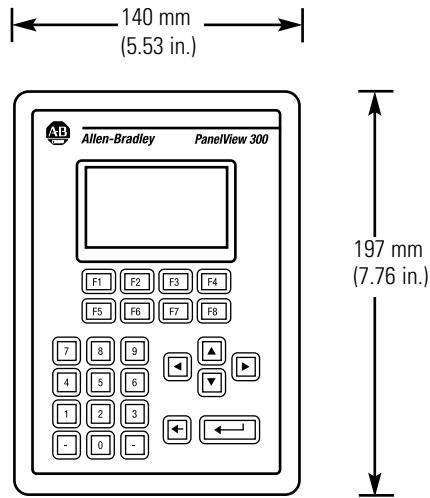




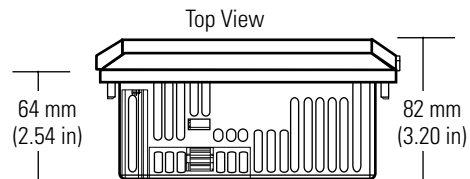
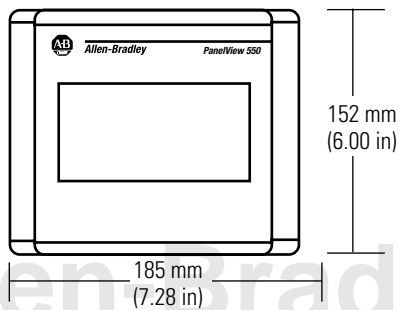
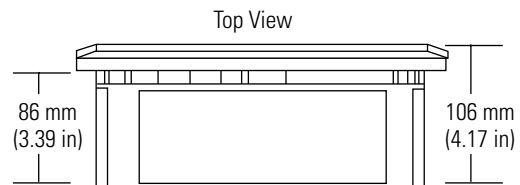
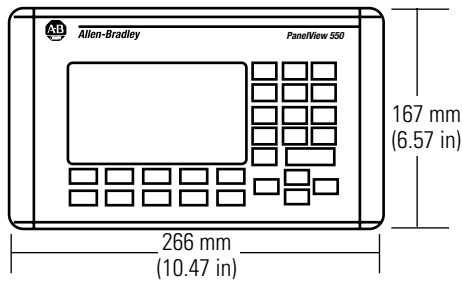
PanelView 300 Micro



PanelView 300 Keypad

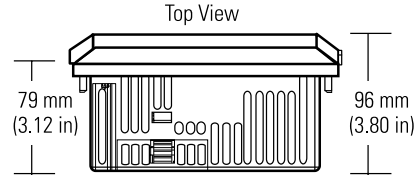
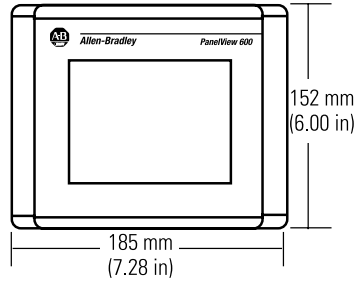
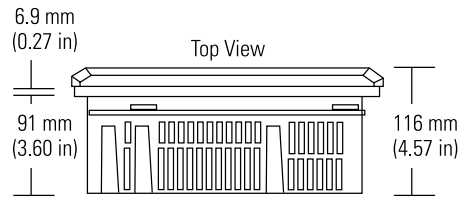
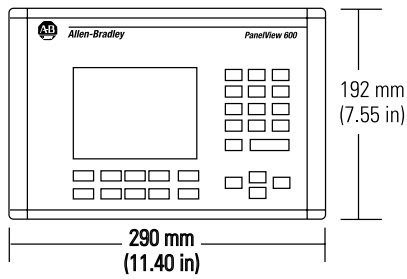


PanelView 550

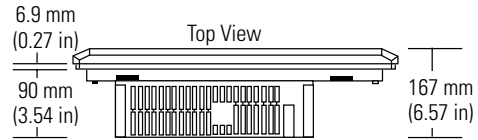
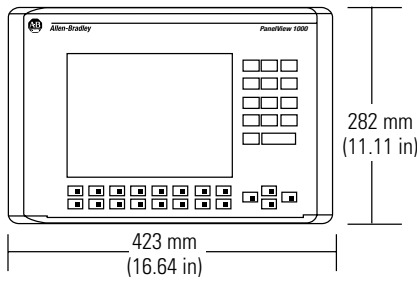
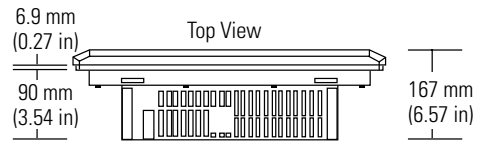
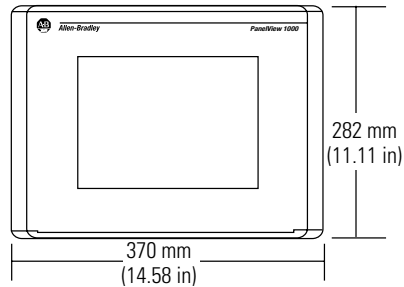


Allen-Bradley 2711-NB3

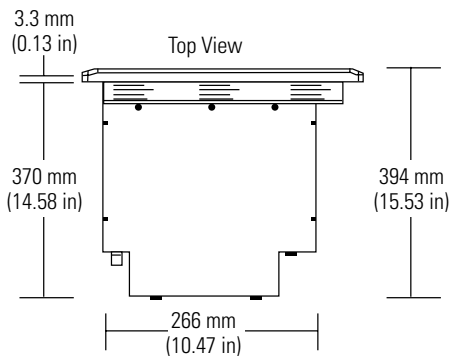
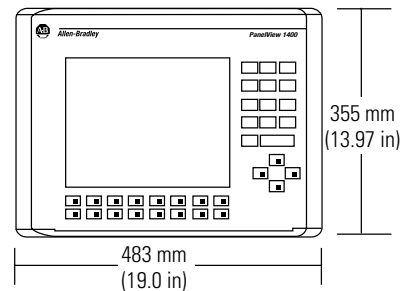
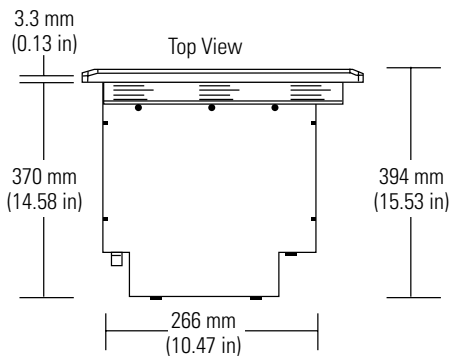
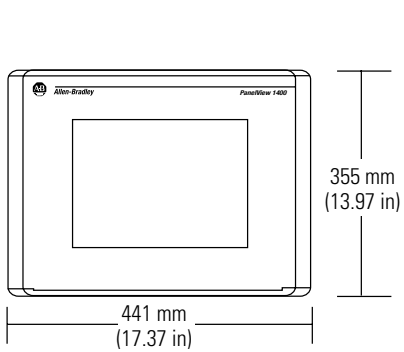
PanelView 600







PanelView 1000



PanelView 1400



**PanelView Standard Selection Guide** (See Catalog Number section for ordering)

	<b>PanelView 300 Micro</b>	<b>PanelView 300</b>	<b>PanelView 550</b>	<b>PanelView 550T</b>	<b>PanelView 600</b>
					
<b>D I S P L A Y</b>					
<b>Type</b>	Monochrome transfective LCD with integral LED backlight		Monochrome Liquid Crystal Display (LCD)		Color Active Matrix Thin Film Transistor (TFT)
<b>Size:</b>	2.87" x 1.67" (73mm x 42mm)		4.75" x 2.38" (120mm x 60mm)		4.54" x 3.4" (115mm x 86mm)
<b>Replaceable Backlight</b>	N/A – 100,000 hour LED backlight life		Field replaceable backlight		
<b>Operator Input</b>	Keypad	Keypad	Keypad or Combination Keypad and Touchscreen	Touchscreen Only	Keypad or Combination Keypad and Touchscreen
<b>Touch Cells</b>	N/A	N/A	128	128	128
<b>Function Keys</b>	4 (F1 - F4) 4 Nav/Function Keys	8 (F1 - F8)	10 (F1 - F10)	N/A	10 (F1 - F10)
<b>Real time Clock</b>	Battery-backed clock timestamps critical data				
<b>Application Memory</b>	170K application runtime; 240K Flash (application objects + text + bitmaps)				190K application runtime; 240K Flash (application objects + text + bitmaps)
<b>E L E C T R I C A L</b>					
<b>Communication Port</b>	RS-232 (DH-485 protocol), DF1, 8-pin Mini DIN connector	DeviceNet, DH-485, RS-232 (DH-485 protocol), DF1	EtherNet/IP, DeviceNet, ControlNet, DH+, Remote I/O, DH-485, RS-232 (DH-485 protocol), DF1, Profibus (1.5Mb), Modbus		
<b>RS-232 Printer Port</b>	N/A	1200, 2400, 9600, 19200 baud rate			
<b>Power Requirements</b>	AC: N/A DC: 11-30 Vdc	AC: N/A DC: 18-32 Vdc	AC: 85-264 Vac DC: 18-32 Vdc	AC: N/A DC: 18-32 Vdc	AC: 85-264 Vac DC: 18-32 Vdc
<b>Power Consumption</b>	AC: N/A DC: 2.5 Watts max. (0.105A@24 Vdc)	AC: N/A DC: 10 Watts max. (0.42A@24 Vdc)	AC: 45 VA max. DC: 18 Watts max. (0.75A@24 Vdc)	AC: N/A DC: 18 Watts max. (0.75A@24 Vdc)	AC: 60 VA max. DC: 34 Watts max. (1.9A@24 Vdc)
<b>Programming</b>	PanelBuilder32 (Windows based)				
<b>E N V I R O N M E N T A L</b>					
<b>Operating Temperature</b>	0 to 55°C (32 to 131°F)				
<b>Storage Temperature</b>	-20 to 85°C (-4 to 188°F)	-25 to 70°C (-13 to 158°F)	-20 to 70°C (-4 to 158°F)		-25 to 70°C (-13 to 158°F)
<b>Humidity</b>	5 to 95%, noncondensing @ 0 to 55°C	5 to 95%, noncondensing @ 0 to 30°C			5 to 95%, noncondensing @ 0 to 55°C
<b>Ratings</b>	NEMA Type 12, 13, 4x (indoor only), IP54, IP65				
<b>Certifications</b>	UL, cUL approved; Class 1 Div 2 Groups A,B,C,D; CE marked	UL, cUL approved; Class I, Div 2 Groups A, B, C, D; CE marked, Demko	UL, cUL approved; Class 1, Div 2 Groups A, B, C, D; CE marked	UL, cUL approved; Class 1, Div 2 Groups A, B, C, D; CE marked	UL, cUL approved; Class 1, Div 2 Groups A, B, C, D; CE marked, Demko
<b>W E I G H T</b>					
<b>Keypad</b>	10 oz. (284 g)	1.484 lbs. (673 g)	2.7 lbs (1.2 kg)	N/A	4.4 lbs (2 kg)
<b>Touch Screen</b>	N/A	N/A	N/A	2.1 lbs. (0.93kg)	N/A
<b>D I M E N S I O N S</b>					
<b>Keypad</b>	4.38" (h) x 5.23" (w) x 1.87" (d) (111mm x 133mm x 48mm)	7.76" (h) x 5.51" (w) x 3.21" (d) (197mm x 140mm x 82mm)	6.6" (h) x 10.5" (w) x 4.2" (d) (167.6mm x 266.7mm x 106.7mm)	N/A	7.55" (h) x 11.40" (w) x 4.57" (d) (192mm x 290mm x 116mm)
<b>Touch Screen</b>	N/A	N/A	6.6" (h) x 10.5" (w) x 4.2" (d) (167.6mm x 266.7mm x 106.7mm)	5.92" (h) x 7.21" (w) x 3.2" (d) (150mm x 183mm x 81mm)	7.55" (h) x 11.40" (w) x 4.57" (d) (192mm x 290mm x 116mm)

**PanelView 600T**

**PanelView 1000 Color**

**PanelView 1000  
Grayscale**

**PanelView 1400**

			
Color Passive Matrix	Color Active Matrix Thin Film Transistor (TFT)	Electroluminescent (EL)	Color CRT (SVGA)
4.54" x 3.43" (115mm x 87mm)	8.3" x 6.2" (211mm x 158mm)		10.0" x 7.5" (255mm x 191mm)
Field replaceable backlight		N/A – emissive display	N/A
Touchscreen Only	Keypad or Touchscreen		
128	384	384	384
N/A	16 (F1 - F16)	16 (F1 - F16)	21 (F1 - F21)
Battery-backed clock timestamps critical data			
190K application runtime; 240K Flash (application objects + text + bitmaps)	310K application runtime; 1008K Flash (application objects + text + bitmaps)		
EtherNet/IP, DeviceNet, ControlNet, DH+, Remote I/O, DH-485, RS-232 (DH-485 protocol), DF1, Profibus (1.5Mb), Modbus			
1200, 2400, 9600, 19200 baud rate			
AC: N/A DC: 18-32 Vdc	AC: 85-264 Vac DC: 18-32 Vdc	AC: 85-264 Vac DC: 18-32 Vdc	AC: 85-264 Vac DC: N/A
AC: N/A DC: 17 Watts max. (0.71A@24 Vdc)	AC: 70 VA max. DC: 27 Watts max. (1.1A@24 Vdc)	AC: 100 VA max. DC: 40 Watts max. (1.74A@24 Vdc)	AC: 200 VA max. DC: N/A
PanelBuilder32 (Windows based)			
0 to 50°C (32 to 122°F)	0 to 55°C (32 to 131°F)		
-25 to 70°C (-13 to 158°F)			-40 to 85°C (-40 to 185°F)
5 to 95%, non-condensing @ 0 to 40°C	5 to 95%, noncondensing @ 0 to 55°C		
NEMA Type 12, 13, 4x (indoor only), IP54, IP65			
UL, cUL approved; Class I, Div 2 Groups A, B, C, D; CE marked	UL, cUL approved; Class 1, Div 2 Groups A, B, C, D; CE marked, Demko	UL, cUL approved; Class 1, Div 2 Groups A, B, C, D; CE marked, Demko	UL, cUL approved; CE marked
N/A	8.2 lbs (3.7 kg)	7.2 lbs (3.3 kg)	44.75 lbs. (20.3 kg)
2.3 lbs. (1 kg)	7.9 lbs (3.6 kg)	7.0 lbs (3.2 kg)	43.2 lbs. (19.6 kg)
N/A	11" (h) x 17"(w) x 5" (d) (282mm x 423mm x 112mm)	11" (h) x 17" (w) x 5" (d) (282mm x 423mm x 112mm)	13.97" (h) x 19.0" (w) x 15.53" (d) (355mm x 483mm x 394mm)
6.00" (h) x 7.28" (w) x 3.80" (d) (152mm x 185mm x 96mm)	11" (h) x 15" (w) x 5" (d) (282mm x 370mm x 112mm)	11" (h) x 15" (w) x 5" (d) (282mm x 370mm x 112mm)	13.97" (h) x 17.37" (w) x 15.53" (d) (355mm x 441mm x 394mm)



# PanelView Standard Network Connections

Because PanelView Standard terminals offer such flexible communication options, you can optimize your operator interface needs to your control or process architecture. Or, as your control system needs change, so can your operator interface system.

Along with flexible network connections for runtime operation, you have multiple options for uploading and downloading application files with PanelBuilder32 – direct, over the network, or via a ‘Pass Through’ or ‘Gateway’ connection. And don’t forget ATA memory cards for easy file transfers.

## Standard Network Connections – Runtime Operation

Network Connection	MicroLogix	SLC-500, 5/01, 5/02	5/03	5/04	5/05	PLC-5	ControlLogix
Remote I/O	n/a	5/02 with 1747-SN	with 1747-SN	with 1747-SN	with 1747-SN	yes	with 1756-DHRIO**
DH+	n/a	n/a	n/a	yes	n/a	yes	with 1756-DHRIO**
DF1	with AIC+*	n/a	Ch. 0	Ch. 0	Ch. 0	Ch. 0	yes
DH-485 (RS485 physical connection)	with AIC+	yes	yes	with AIC+ to Ch. 0	with AIC+ to Ch. 0	n/a	n/a
DH-485 (RS232 physical connection)	with AIC+*	with AIC+	Ch. 0	Ch. 0	Ch. 0	n/a	n/a
DeviceNet	with 1761-NET DNI	5/02 with 1747-SDN	with 1747-SDN	with 1747-SDN	with 1747-SDN	with 1771-SDN	with 1756-DNB
ControlNet	n/a	n/a	no	no	no	PLC-5C	with 1756-CNB***
EtherNet/IP	with 1761-NET-ENI	n/a	n/a	n/a	yes	PLC-5E, 1785-ENET	with 1756-ENET

\* For isolation purposes if not on the same power supply.

\*\* Legacy mode. Example: address = N7:0

\*\*\* Symbolic (CIP) addressing. Example: address = Tank level

## PanelView Application File Upload/Download Direct and Network Connections

PanelView Type	Direct Connection PC (with PanelBuilder32) to PanelView	Network Connection PC (with PanelBuilder32) over Network
EtherNet/IP	2711-NC13 (via RS-232 printer port)	Yes – via Ethernet Port
DeviceNet	2711-NC13 (via RS-232 printer port)	Yes – via PV DeviceNet port
ControlNet	2711-NC13 (via RS-232 printer port)	Yes – via PV ControlNet port
Data Highway Plus	2711-NC13 (via RS-232 printer port)	Yes – via PV DH+ port
Remote I/O	2711-NC13 (via RS-232 printer port)	N/A – use a Pass-Through connection
DH-485 (RS-485 port)	1747-PIC* or AIC+ module	Yes – via PV DH-485 port
DH-485 (RS-232 port)	2711-NC13 (via RS-232/DH485 port) or PV 300 Micro: 2711-CBL-PM05 or -PM10	Yes – via PV RS-232 (DH-485) port (select terminals only)
DF1	2711-NC13 (via RS-232 port) or 2711-NC13 (via RS-232 printer port – select terminals only) PV300 Micro: 2711-CBL-PM05 or -PM10	N/A – use a Pass-Through connection
Profibus	2711-NC13 (via RS-232 printer port)	N/A
Modbus	2711-NC13 (via RS-232 printer port)	N/A

\* When connecting a personal computer to a PanelView terminal, using a PIC without a controller connected, you need a power supply (1747-NP1)

## PanelView Application File Upload/Download Pass-Through & Gateway Connections

PC Network (PC to Controller)	Controller*/Gateway	PanelView Network (Controller to PanelView)
Ethernet	ControlLogix/Gateway	ControlNet, DeviceNet, RI/O, DH+
	PLC-5	DeviceNet, RI/O
	SLC 5/05	DeviceNet, RI/O, DH-485, DF1
ControlNet	ControlLogix/Gateway	DeviceNet, RI/O, DH+
	PLC-5	DeviceNet, RI/O
DH+	PLC-5	DeviceNet, RI/O
	SLC 5/04	DeviceNet, RI/O, DH-485, DF1
DH-485	SLC 5/03, 5/04, 5/05	DeviceNet, RI/O
	SLC 5/04	DH+
DF1	ControlLogix/Gateway	ControlNet, DeviceNet, RI/O
	SLC 5/03, 5/04, 5/05	DeviceNet, RI/O
	SLC 5/04	DH+

\* The controller must support PC network as well as PanelView network. Consult controller manual for details