

Product data sheet

Specifications



analog output module Modicon Quantum - 8 O multirange

140ACO13000

! To be discontinued on: 31 December 2022

! To be end-of-service on: 31 December 2030

! To be discontinued

Main

Range of product	Modicon Quantum automation platform
Product or component type	Analogue output module

Complementary

Analogue output number	8
Addressing requirement	8 output words
Loop voltage	6...30 V DC
Maximum voltage drop	<30 V 25 mA
Analogue output range	0...20 mA 0...20000 counts 0...25 mA 0...25000 counts 4...20 mA 0...16000 counts 4...20 mA 0...4095 counts
Absolute accuracy error	+/- 0.2 % of full scale at 25 °C
Linearity	+/- 12 µA 4...20 mA 0...4095 counts +/- 4 µA 0...20 mA 0...20000 counts +/- 4 µA 0...25 mA 0...25000 counts +/- 4 µA 4...20 mA 0...16000 counts
Accuracy drift according to temperature	0.004 % of full scale/°C typical 0.007 % of full scale/°C maximum
Isolation between channels and bus	1780 V for 1 minute AC
Update time	5 ms
Setting time	3.2 ms to +/-0.1% of the final value 1.6 ms to 5% of the final value
Fault type	Open circuit 4...20 mA
Bus current requirement	550 mA
Maximum power dissipation in W	5 W
External power requirement	6...30 V
Marking	CE
Local signalling	1 LED (green) for bus communication is present (Active) 1 LED (red) for external fault 8 LEDs (green) for channel is turned on 8 LEDs (red) for channel fault
Module format	Standard

Net weight	0.3 kg
------------	--------

Environment

Product certifications	cUL FM Class 1 Division 2
Standards	UL 508 CSA C22.2 No 142
Resistance to electromagnetic fields	10 V/m 80...2000 MHz conforming to IEC 801-3
Ambient air temperature for operation	0...60 °C
Ambient air temperature for storage	-40...85 °C
Relative humidity	95 % without condensation
Operating altitude	<= 5000 m

Packing Units

Unit Type of Package 1	PCE
Number of Units in Package 1	1
Package 1 Weight	460 g
Package 1 Height	5 cm
Package 1 width	16.5 cm
Package 1 Length	32 cm
Unit Type of Package 2	S03
Number of Units in Package 2	7
Package 2 Weight	3.72 kg
Package 2 Height	30 cm
Package 2 width	30 cm
Package 2 Length	40 cm

Offer Sustainability

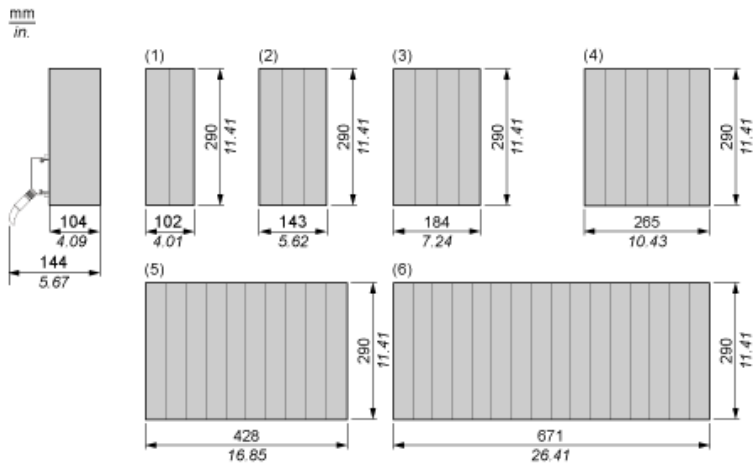
Sustainable offer status	Green Premium product
REACH Regulation	REACH Declaration
REACH free of SVHC	Yes
EU RoHS Directive	Pro-active compliance (Product out of EU RoHS legal scope) EU RoHS Declaration
Mercury free	Yes
RoHS exemption information	Yes
China RoHS Regulation	China RoHS declaration
Environmental Disclosure	Product Environmental Profile
Circularity Profile	End of Life Information
WEEE	The product must be disposed on European Union markets following specific waste collection and never end up in rubbish bins
California proposition 65	WARNING: This product can expose you to chemicals including: Lead and lead compounds, which is known to the State of California to cause cancer and birth defects or other reproductive harm. For more information go to www.P65Warnings.ca.gov

Contractual warranty

Warranty	18 months
----------	-----------

Racks for Modules Mounting

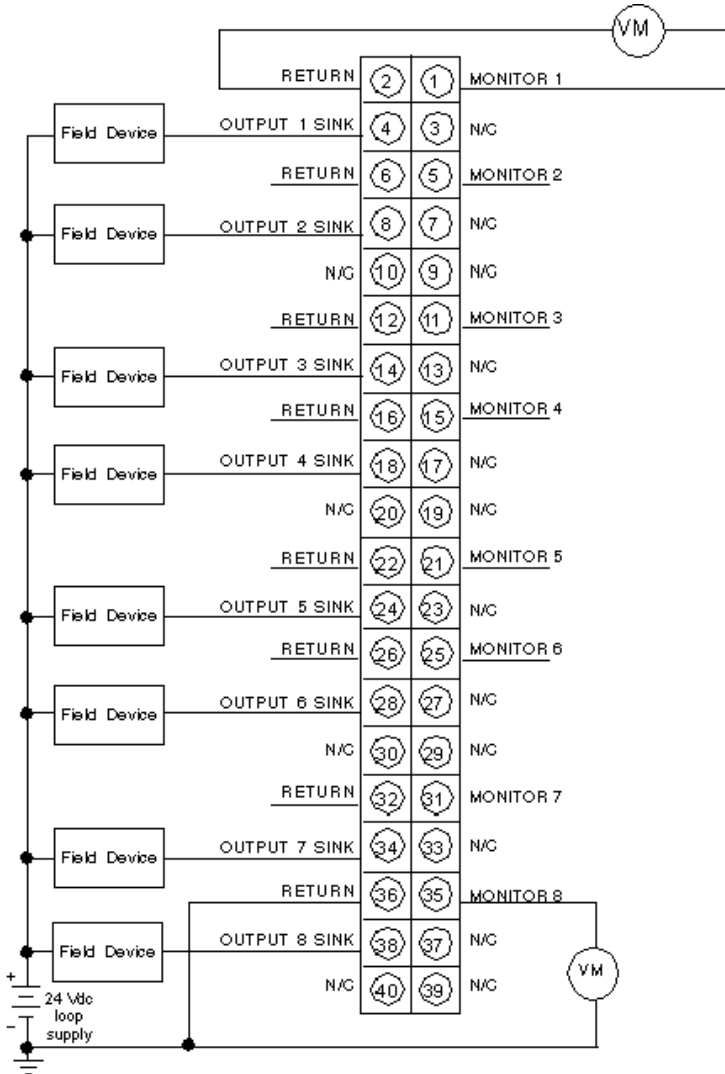
Dimensions of Modules and Racks



- (1) 2 slots
- (2) 3 slots
- (3) 4 slots
- (4) 6 slots
- (5) 10 slots
- (6) 16 slots

High Density Analog Output Module (8-Channel)

Wiring Diagram




N/C Not Connected

All terminals labeled "RETURN" are common inside the module.

Recommended replacement(s)

140ACO13000 is replaced by:

- 1x  analog output module X80 - 8 outputs
BMXAMO0802