

# Product datasheet

Specifications



## discrete output module Modicon Quantum - 16 O - 83..253 V AC

140DAO84210

### Main

Range of product	Modicon Quantum automation platform
Product or component type	AC discrete output modules
Discrete output number	16

### Complementary

Group of channels	4 groups of 4 channels
Supply frequency	47...63 Hz
Maximum voltage drop	1.5 V
Discrete output voltage	83...253 V AC
Addressing requirement	1 output word
Absolute maximum output	300 Vrms for 10 s AC 400 Vrms 1 cycle AC
Maximum load current	2 mA rms 115 Vrms off state leakage per output 2.5 mA rms 230 Vrms off state leakage per output 3 A rms 170...253 V per output 4 A rms 85...132 V per output 16 A rms per module 4 A rms per group
Surge current	10 A during 3 cycles per point 20 A during 2 cycles per point 30 A during 1 cycle per point 25 A during 3 cycles per group 30 A during 2 cycles per group 45 A during 1 cycle per group
DV/Dt	400 V/ms
Response time	<= 0.5 ms at state 0 to state 1 <= 0.5 ms at state 1 to state 0
Fault indication	Blown fuse Loss of field power
Protection type	Internal by RC filter Internal output protection by 5 A fuse
Power dissipation	1.85 + (1.1 V x total module load current)
Marking	CE
Local signalling	1 LED (green) for bus communication is present (Active) 1 LED (red) for external fault detected (F) 16 LEDs (green) for input status
Bus current requirement	350 mA
Module format	Standard

Disclaimer: This documentation is not intended as a substitute for and is not to be used for determining suitability or reliability of these products for specific user applications

Net weight	0.45 kg
------------	---------

## Environment

Product certifications	cUL FM Class 1 Division 2
Standards	UL 508 CSA C22.2 No 142
Electromagnetic compatibility	Electrostatic discharge immunity test - test level: 4 kV (contact discharge) conforming to IEC 801-2 Electrostatic discharge immunity test - test level: 8 kV (air discharge) conforming to IEC 801-2 Susceptibility to electromagnetic fields - test level: 10 V/m (80...1000 MHz) conforming to IEC 801-3
Ambient air temperature for operation	0...60 °C
Ambient air temperature for storage	-40...85 °C
Relative humidity	95 % without condensation
Operating altitude	<= 5000 m

## Packing Units

Unit Type of Package 1	PCE
Number of Units in Package 1	1
Package 1 Weight	634 g
Package 1 Height	163 mm
Package 1 width	45 mm
Package 1 Length	312 mm
Unit Type of Package 2	S03
Number of Units in Package 2	7
Package 2 Weight	4.53 kg
Package 2 Height	30 cm
Package 2 width	30 cm
Package 2 Length	40 cm

## Offer Sustainability

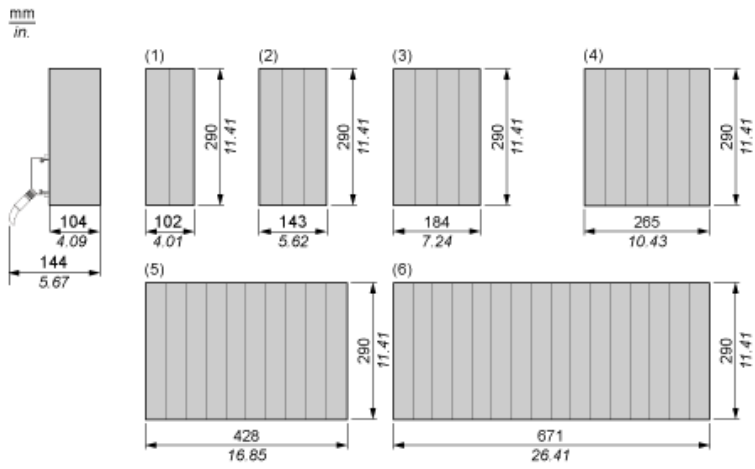
Sustainable offer status	Green Premium product
REACH Regulation	<a href="#">REACH Declaration</a>
REACH free of SVHC	Yes
EU RoHS Directive	Pro-active compliance (Product out of EU RoHS legal scope) <a href="#">EU RoHS Declaration</a>
Mercury free	Yes
RoHS exemption information	<a href="#">Yes</a>
China RoHS Regulation	<a href="#">China RoHS declaration</a>
Environmental Disclosure	<a href="#">Product Environmental Profile</a>
Circularity Profile	<a href="#">End of Life Information</a>
WEEE	The product must be disposed on European Union markets following specific waste collection and never end up in rubbish bins

## Contractual warranty

Warranty	18 months
----------	-----------

**Racks for Modules Mounting**

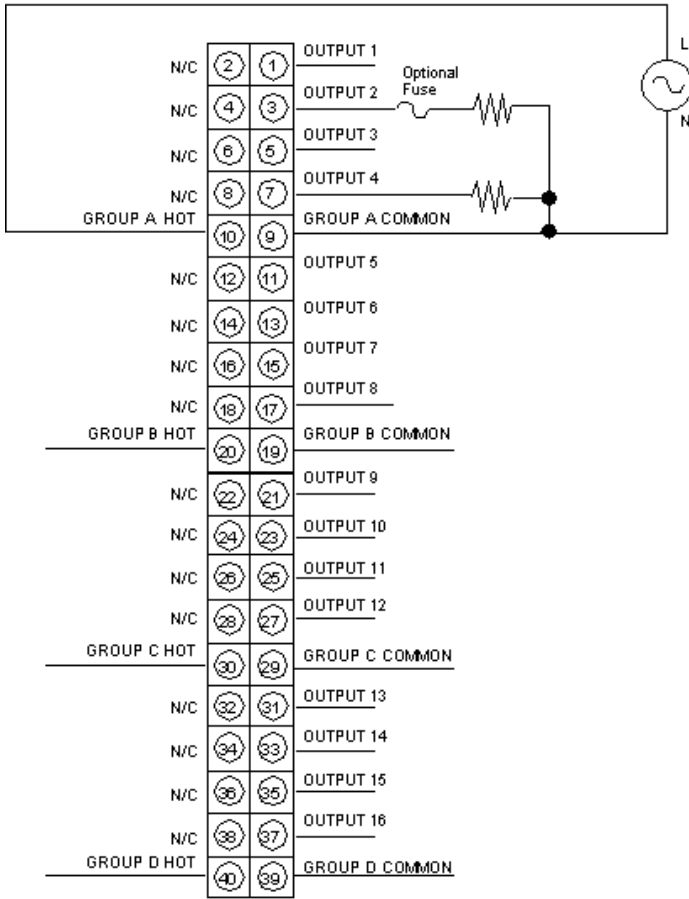
**Dimensions of Modules and Racks**



- (1) 2 slots
- (2) 3 slots
- (3) 4 slots
- (4) 6 slots
- (5) 10 slots
- (6) 16 slots

**100...230 Vac Discrete Output Module**

**Wiring Diagram**



**N/C** Not Connected