

Product data sheet

Specifications



discrete input module Modicon Quantum - 32 I 24 V DC

140DDI35300

! To be discontinued on: 31 December 2022

! To be end-of-service on: 31 December 2030

! To be discontinued

Main

| | |
|---------------------------|---------------------------------------|
| Range of product | Modicon Quantum automation platform |
| Product or component type | Low voltage dc discrete input modules |
| Discrete input number | 32 |

Complementary

| | |
|---------------------------------|--|
| Group of channels | 4 |
| Logic input | Positive (sink) |
| Discrete input voltage | 24 V DC |
| Input voltage limits | 19.2...30 V |
| Voltage state 1 guaranteed | 15...30 V DC |
| Voltage state 0 guaranteed | -3...5 V DC |
| Current state 1 guaranteed | ≥ 2 mA at $U_s = 5.5$ V and $U_{in} = 0$ V |
| Current state 0 guaranteed | ≤ 0.5 mA |
| Addressing requirement | 2 input words |
| Input impedance | 2500 Ohm |
| Maximum leakage current | 200 mA at $U_s = 5.5$ V and $U_{in} = 4$ V |
| Absolute maximum input | 30 V continuous 56 V during 1.3 ms decaying pulse |
| Response time | ≤ 1 ms from state 0 to state 1 ≤ 1 ms from state 1 to state 0 |
| Protection type | Input protection by resistor limited |
| Power dissipation | 1.7 W + (0.36 x number of points on) |
| Isolation between group and bus | 1780 Vrms for 1 minute |
| Isolation between group | 500 Vrms for 1 minute |
| Local signalling | 1 LED (green) for bus communication is present (Active) 1 LED (red) for external fault detected (F) 32 LEDs (green) for input status |
| Marking | CE |
| Bus current requirement | 330 mA |
| Module format | Standard |

| | |
|------------|--------|
| Net weight | 0.3 kg |
|------------|--------|

Environment

| | |
|---------------------------------------|---|
| Standards | CSA C22.2 No 142 UL 508 |
| Product certifications | C-Tick DNV RINA RMRS BV GOST ABS |
| Resistance to electrostatic discharge | 4 kV contact conforming to IEC 801-2 8 kV on air conforming to IEC 801-2 |
| Resistance to electromagnetic fields | 10 V/m 80...2000 MHz conforming to IEC 801-3 |
| Ambient air temperature for operation | 0...60 °C |
| Ambient air temperature for storage | -40...85 °C |
| Relative humidity | 95 % without condensation |
| Operating altitude | <= 5000 m |

Packing Units

| | |
|------------------------------|----------|
| Unit Type of Package 1 | PCE |
| Number of Units in Package 1 | 1 |
| Package 1 Weight | 409.2 g |
| Package 1 Height | 4.65 cm |
| Package 1 width | 16.45 cm |
| Package 1 Length | 30.97 cm |
| Unit Type of Package 2 | S03 |
| Number of Units in Package 2 | 7 |
| Package 2 Weight | 3494 g |
| Package 2 Height | 30 cm |
| Package 2 width | 30 cm |
| Package 2 Length | 40 cm |
| Package 3 Height | 50 cm |

Offer Sustainability

| | |
|----------------------------|---|
| Sustainable offer status | Green Premium product |
| REACH Regulation | REACH Declaration |
| REACH free of SVHC | Yes |
| EU RoHS Directive | Pro-active compliance (Product out of EU RoHS legal scope) EU RoHS Declaration |
| Mercury free | Yes |
| RoHS exemption information | Yes |
| China RoHS Regulation | China RoHS declaration |
| Environmental Disclosure | Product Environmental Profile |
| Circularity Profile | End of Life Information |

| | |
|-------------|---|
| WEEE | The product must be disposed on European Union markets following specific waste collection and never end up in rubbish bins |
|-------------|---|

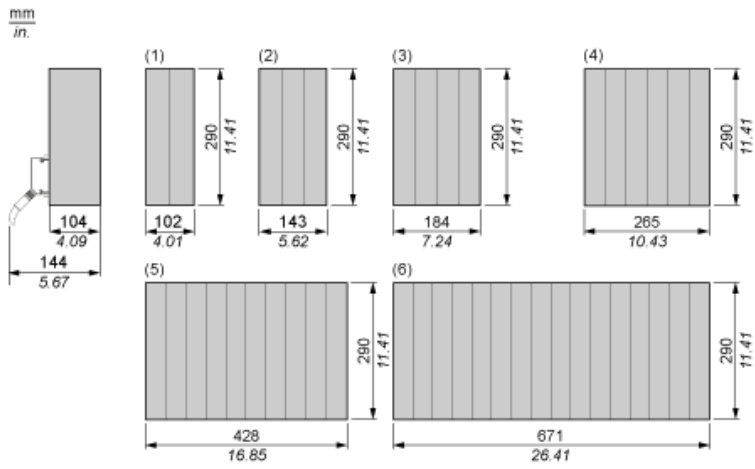
| | |
|----------------------------------|---|
| California proposition 65 | WARNING: This product can expose you to chemicals including: Lead and lead compounds, which is known to the State of California to cause cancer and birth defects or other reproductive harm. For more information go to www.P65Warnings.ca.gov |
|----------------------------------|---|

Contractual warranty

| | |
|-----------------|-----------|
| Warranty | 18 months |
|-----------------|-----------|

Racks for Modules Mounting

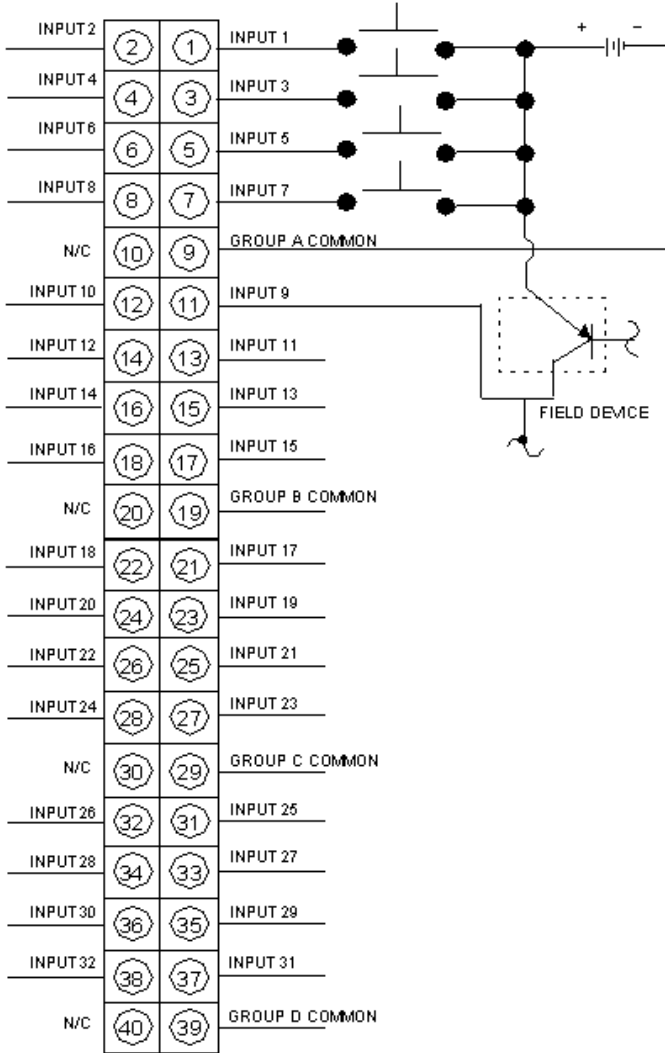
Dimensions of Modules and Racks



- (1) 2 slots
- (2) 3 slots
- (3) 4 slots
- (4) 6 slots
- (5) 10 slots
- (6) 16 slots

24 Vdc Discrete Input Sink Module

Wiring Diagram



N/C Not Connected

Recommended replacement(s)

140DDI35300 is replaced by:

1x



discrete input module X80 - 32 inputs - 24 V DC positive
BMXDDI3202K