

Product data sheet

Specifications



discrete input module Modicon Quantum - 16 I - 10..60 V DC

140DDI84100

! To be discontinued on: 31 December 2022

! To be end-of-service on: 31 December 2030

! To be discontinued

Main

Range of product	Modicon Quantum automation platform
Product or component type	Dc discrete input modules
Discrete input number	16

Complementary

Group of channels	8
Logic input	Positive (sink)
Input voltage limits	10...60 V
Input voltage	12 V 5...10 mA DC 24 V 6...30 mA DC 48 V 2...15 mA DC 60 V 1...5 mA DC
Voltage state 1 guaranteed	11...24 V 24 V +/- 20 % 34...48 V 48 V +/- 20 % 45...60 V 60 V +/- 20 % 9...12 V 12 V +/- 5 %
Voltage state 0 guaranteed	0...1.8 V 12 V +/- 5 % 0...10 V 48 V +/- 20 % 0...5 V 24 V +/- 20 % 0...9 V 60 V +/- 20 %
Absolute maximum voltage	75 V
Addressing requirement	1 input word
Response time	4 ms from state 0 to state 1 4 ms from state 1 to state 0
Switching frequency	<= 100 Hz
Isolation between group and bus	2500 Vrms DC for 1 minute
Isolation between group	700 Vrms DC for 1 minute
Power dissipation	1 W + (0.62 x number of points on)
Marking	CE
Local signalling	1 LED (green) for bus communication is present (Active) 1 LED (red) for external fault detected (F) 16 LEDs (green) for input status
Bus current requirement	200 mA
Module format	Standard

Net weight	0.3 kg
------------	--------

Environment

Standards	UL 508 CSA C22.2 No 142
Product certifications	FM Class 1 Division 2 C-Tick
Resistance to electrostatic discharge	4 kV contact conforming to IEC 801-2 8 kV on air conforming to IEC 801-2
Resistance to electromagnetic fields	10 V/m 80...2000 MHz conforming to IEC 801-3
Ambient air temperature for operation	0...60 °C
Ambient air temperature for storage	-40...85 °C
Relative humidity	95 % without condensation
Operating altitude	<= 5000 m

Packing Units

Unit Type of Package 1	PCE
Number of Units in Package 1	1
Package 1 Weight	0.44 kg
Package 1 Height	4.64 cm
Package 1 width	16.64 cm
Package 1 Length	31.21 cm
Unit Type of Package 2	S03
Number of Units in Package 2	7
Package 2 Weight	3.749 kg
Package 2 Height	30 cm
Package 2 width	30 cm
Package 2 Length	40 cm

Offer Sustainability

Sustainable offer status	Green Premium product
REACH Regulation	REACH Declaration
REACH free of SVHC	Yes
EU RoHS Directive	Pro-active compliance (Product out of EU RoHS legal scope) EU RoHS Declaration
Mercury free	Yes
RoHS exemption information	Yes
China RoHS Regulation	China RoHS declaration
Environmental Disclosure	Product Environmental Profile
Circularity Profile	End of Life Information
WEEE	The product must be disposed on European Union markets following specific waste collection and never end up in rubbish bins
California proposition 65	WARNING: This product can expose you to chemicals including: Lead and lead compounds, which is known to the State of California to cause cancer and birth defects or other reproductive harm. For more information go to www.P65Warnings.ca.gov

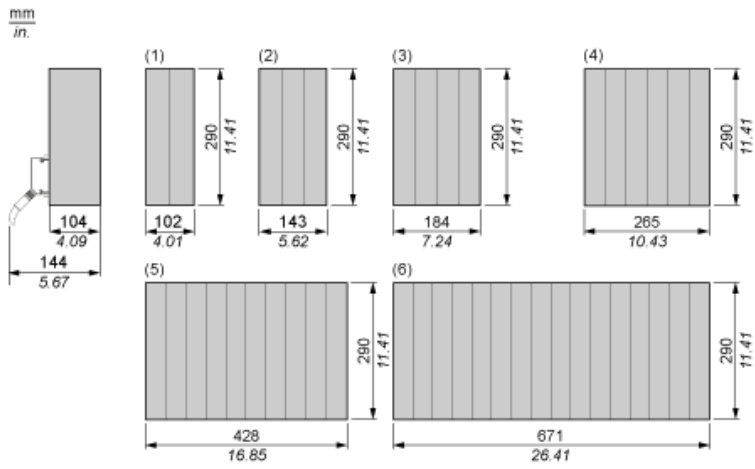
Contractual warranty

Warranty

18 months

Racks for Modules Mounting

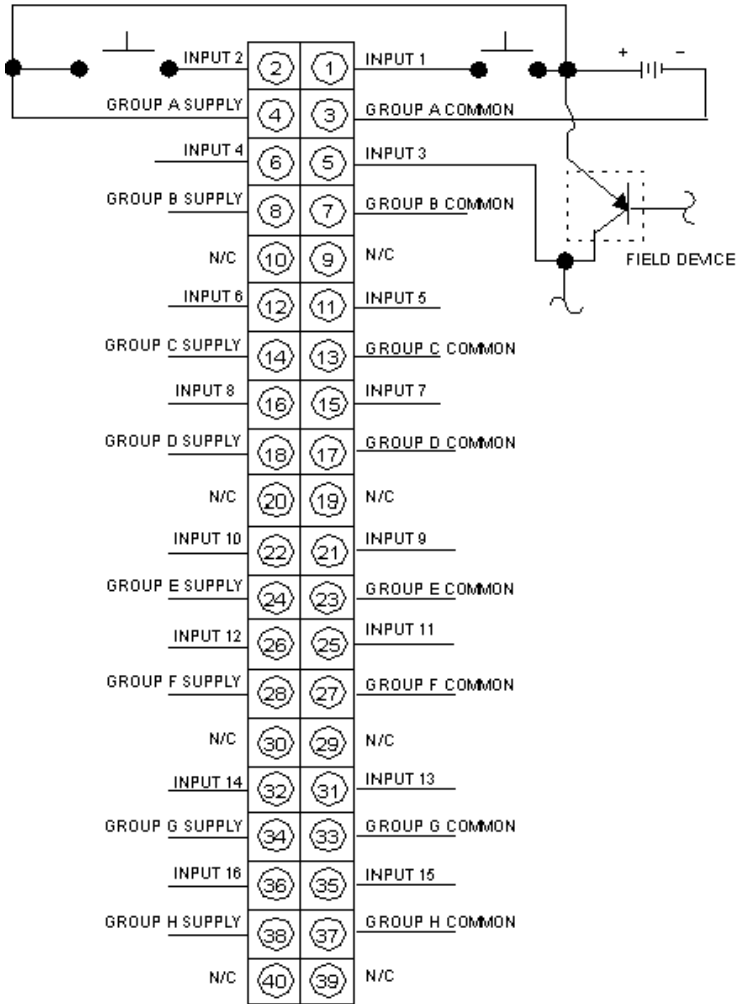
Dimensions of Modules and Racks



- (1) 2 slots
- (2) 3 slots
- (3) 4 slots
- (4) 6 slots
- (5) 10 slots
- (6) 16 slots

60 Vdc Discrete Input Sink Module

Wiring Diagram





N/C Not Connected

Recommended replacement(s)

140DDI84100 is replaced by the following group of products:

This is not interchangeable but an equivalent functional product in the Modicon M580/X80 range. Please contact technical support about your migration options.

1x  discrete input module X80 - 16 inputs - 24 V DC positive
BMXDDI1602

1x  discrete input module X80 - 16 inputs - 48 V DC positive
BMXDDI1603