

Product datasheet

Specifications



industrial touchscreen display - flat screen - 19" - TFT LCD - 100..240 V AC

MPCYT90NAN00N

⚠ Discontinued

⚠ Discontinued on: 31 July 2015

⚠ To be end-of-service on: 31 December 2021

MPCYT90NAN00N has not been replaced. Please contact your customer care centre for more information.

Main

Range of product	Harmony iDisplay
Product or component type	Flat screen
Terminal type	Touchscreen display
Integrated connection type	USB or RS232C port VGA or DVI-D port

Complementary

Device mounting	Flush
Provided equipment	1 cable 5 m for DVI-D 1 cable 3 m for VGA
[Us] rated supply voltage	100...240 V AC power supply conforming to EN 61131-2
Supply voltage limits	85...265 V
Network frequency	50/60 Hz
Power consumption in VA	200 VA
Display size	19 inch
Display type	Active matrix colour TFT LCD
Display resolution	1280 x 1024 pixels SXGA
Display colour	16777216 colors
Luminance	200 cd/m ²
Backlight lifespan	50000 hours
Touch panel	Analogue resistive 35000000 cycles
Type of installation	Indoor installation
Width	460 mm
Height	390 mm
Depth	65 mm
Net weight	7 kg

Environment

Immunity to microbreaks	10 ms
IP degree of protection	Front panel: IP65
NEMA degree of protection	NEMA 4X front panel
Standards	UL 508 ANSI/ISA 12-12-01 Class I division 2 CSA C22.2 No 213 IEC 61131-2 UL 1604
Product certifications	cULus
Ambient air temperature for operation	0...50 °C conforming to EN 61131-2, UL
Ambient air temperature for storage	-20...60 °C
Pollution degree	2

Packing Units

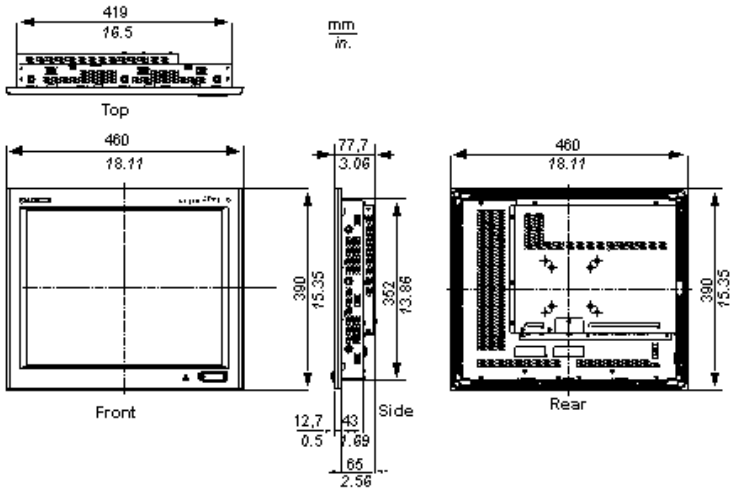
Unit Type of Package 1	PCE
Number of Units in Package 1	1
Package 1 Weight	14.1 kg
Package 1 Height	33 cm
Package 1 width	53 cm
Package 1 Length	56 cm

Contractual warranty

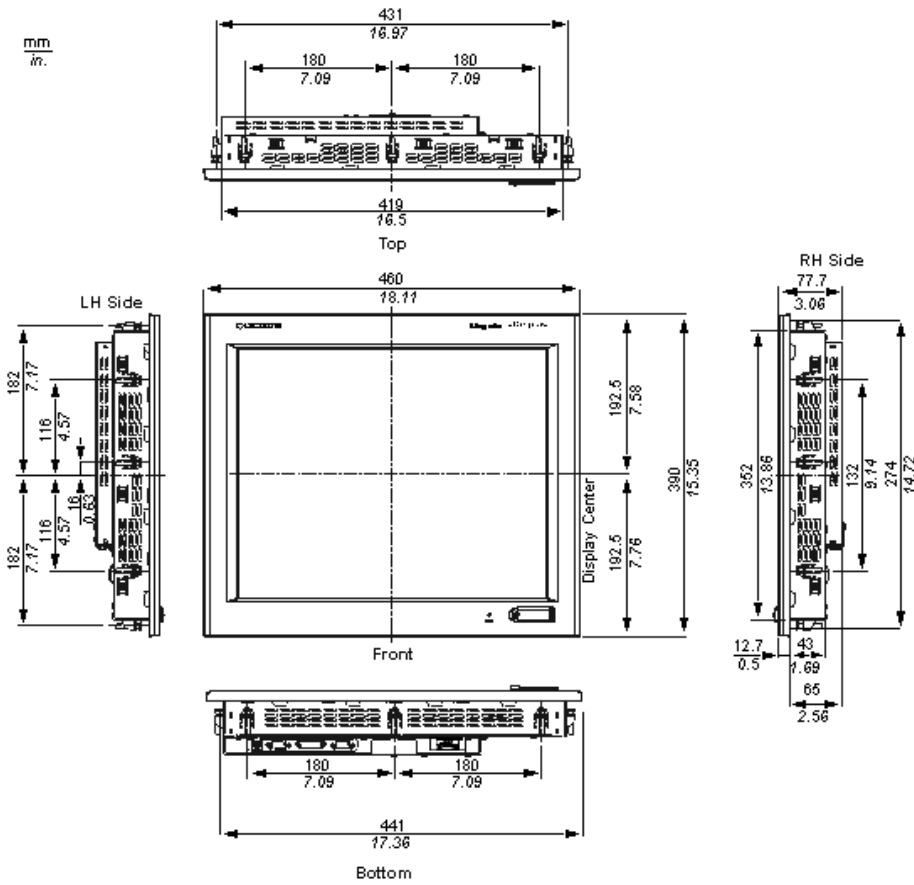
Warranty	18 months
----------	-----------

Dimensions

without Installation Fasteners



with Installation Fasteners



Mounting

