

Product datasheet

Specifications



discrete input module Modicon Premium - 32 I 24 V DC

TSXDEY32D2K

! Discontinued on: 31 December 2018

! To be end-of-service on: 31 December 2026

! Discontinued

Main

| | |
|---------------------------|--|
| Range of product | Modicon Premium Automation platform |
| Product or component type | Discrete input module |
| Discrete input number | 32 current sink isolated conforming to EN/IEC 61131-2 type 1 |
| Discrete input voltage | 24 V DC positive |
| Sensor power supply | 19...30 V |
| Discrete input current | 3.5 mA |

Complementary

| | |
|----------------------------|---------------------------------------|
| Voltage state 1 guaranteed | ≥ 11 V |
| Current state 1 guaranteed | ≥ 3 mA |
| Voltage state 0 guaranteed | ≤ 5 V |
| Current state 0 guaranteed | ≤ 1.5 mA |
| Input impedance | 6300 Ohm at state 1 |
| Response time | ≤ 7 ms 4 ms |
| Isolation resistance | < 10 MOhm 500 V DC |
| Power dissipation | (1 W + 0.1 W x No of channels used) |
| Electrical connection | HE-10 connector |
| Marking | CE |
| Current consumption | 135 mA at 5 V DC 160 mA at 24 V DC |
| Module format | Standard |
| Net weight | 0.3 kg |

Environment

| | |
|---------------------|--|
| Dielectric strength | 1500 V AC at 50/60 Hz |
| Standards | CSA C22.2 No 213 Class I Division 2 Group B IEC 60664 CSA C22.2 No 142 CSA C22.2 No 213 Class I Division 2 Group A 92/31/EEC EN/IEC 61131-2 UL 508 |

CSA C22.2 No 213 Class I Division 2 Group D
93/68/EEC
CSA C22.2 No 213 Class I Division 2 Group C
73/23/EEC
89/336/EEC

| | |
|--|---|
| Product certifications | LR GL BV RMRS RINA ABS DNV |
| Ambient air temperature for operation | 0...60 °C |
| Ambient air temperature for storage | -25...70 °C |
| Relative humidity | 10...95 % without condensation for operation 5...95 % without condensation for storage |
| Operating altitude | 0...2000 m |
| Protective treatment | TC |
| IP degree of protection | IP20 |
| Pollution degree | 2 |

Packing Units

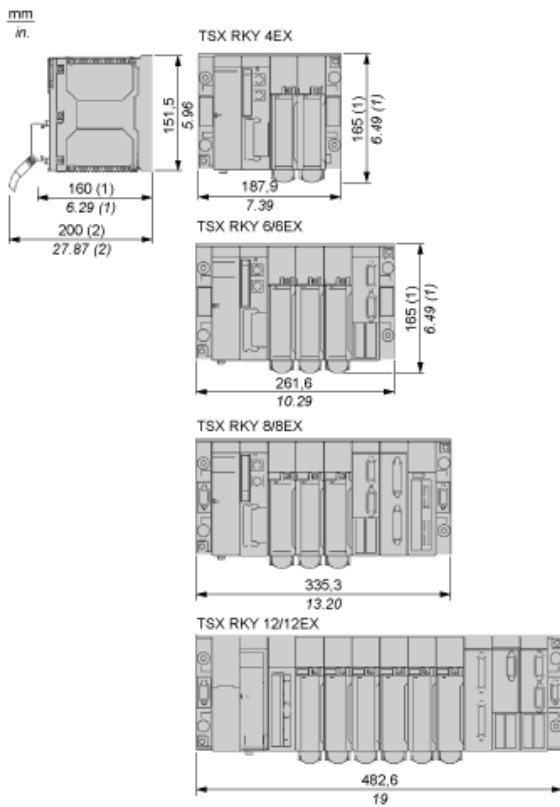
| | |
|-------------------------------------|----------|
| Unit Type of Package 1 | PCE |
| Number of Units in Package 1 | 1 |
| Package 1 Weight | 412 g |
| Package 1 Height | 5.5 cm |
| Package 1 width | 18 cm |
| Package 1 Length | 26 cm |
| Unit Type of Package 2 | S03 |
| Number of Units in Package 2 | 8 |
| Package 2 Weight | 3.811 kg |
| Package 2 Height | 30 cm |
| Package 2 width | 30 cm |
| Package 2 Length | 40 cm |

Contractual warranty

| | |
|-----------------|-----------|
| Warranty | 18 months |
|-----------------|-----------|

Standard and Extendable Racks for Modules Mounting

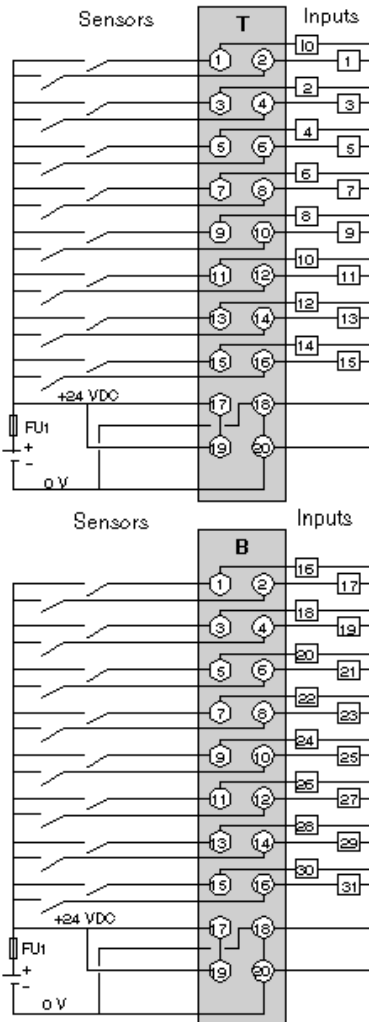
Dimensions of Modules and Racks



- (1) With screw terminal block modules.
- (2) Maximum depth for all types of modules and their associated connectors.

24 Vdc Discrete Input 32-Channel Module

Wiring Diagram



FU1 0.5 A quick-blow fuse

Recommended replacement(s)

TSXDEY32D2K is replaced by:

1x



discrete input module X80 - 32 inputs - 24 V DC positive
BMXDDI3202K