

General Specifications

Model VI702
Vnet/IP Interface Card



GS 33J50C10-01EN

[Release 6]

■ GENERAL

By installing the control bus interface card into the PCI Express slot of the PC/AT compatible computer, the computer is connected to Vnet/IP.

■ FUNCTION

Interface between the PCI Express and Vnet/IP

■ STANDARD SPECIFICATIONS

Communication Speed

1 Gbps Full Duplex

Connection Specifications

Cable: CAT5e (Enhanced Category 5 cable), UTP
Transmission: 1000BASE-T compliance
Connector: RJ45 connector
Max. distance: 100 m (Distance between VI702 and Layer 2 switch)

PCI Express Specifications

Applicable revision:
PCI Express CEM Specification 1.0a x1, 2.5 GT/s signaling
This card can be installed in a PCI Express slot (x1 to x16).
This card cannot be installed in a PCI slot.

Voltage

Power supply voltage: 3.3 V ± 9 %

Current Consumption

Max. 2.5 A

Weight

Approx. 0.18 kg

■ PARTS NAME AND FUNCTIONS

RDY lamp

Lights when it diagnoses the card as normal.

RCV lamp

Lights when it detects signals on a control bus.

SND lamp

Lights when it sends signals to a control bus.

Ethernet connector

Connects a CAT5e (Enhanced Category 5 cable)

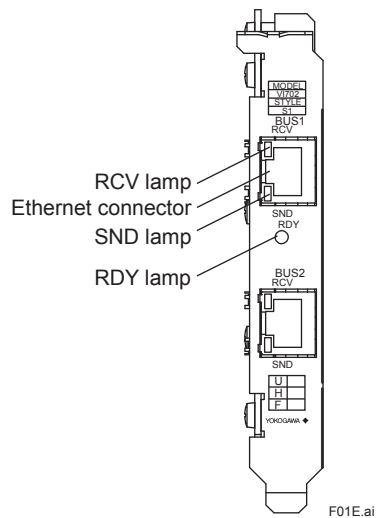
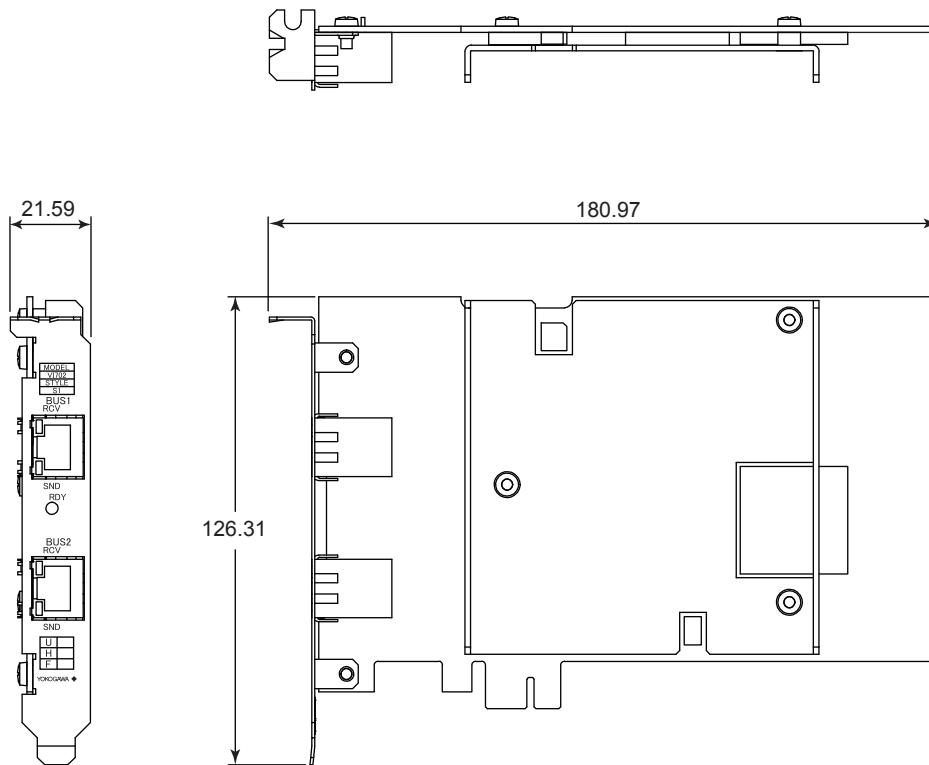


Figure Vnet/IP Interface Card (Front)

EXTERNAL DIMENSIONS

Unit : mm



Nominal Tolerances :

When the reference dimension is over 0.5 mm and equal or less than 120 mm, its nominal tolerance is ± 0.8 mm, while its combination of nominal tolerance is ± 1.5 mm.

When the reference dimension is over 120 mm, its nominal tolerance is in accordance with JEM 1459.

MODEL AND SUFFIX CODE

		Description
Model	VI702	Vnet/IP Interface Card

APPLICABLE STANDARDS

Refer to the GS "Integrated Production Control System CENTUM VP System Overview" (GS 33J01A10-01EN).

ORDERING INFORMATION

Specify model.

TRADEMARKS

- CENTUM and Vnet/IP are registered trademark of Yokogawa Electric Corporation.
- Other company and product names appearing in this document are trademarks or registered trademarks of their respective holders.