

# 1794 FLEX I/O Very High Speed Counter Module

Catalog Numbers 1794-VHSC



## Important User Information

Solid-state equipment has operational characteristics differing from those of electromechanical equipment. Safety Guidelines for the Application, Installation and Maintenance of Solid State Controls (publication [SGL-1.1](#) available from your local Rockwell Automation sales office or online at <http://www.rockwellautomation.com/literature/>) describes some important differences between solid-state equipment and hard-wired electromechanical devices. Because of this difference, and also because of the wide variety of uses for solid-state equipment, all persons responsible for applying this equipment must satisfy themselves that each intended application of this equipment is acceptable.

In no event will Rockwell Automation, Inc. be responsible or liable for indirect or consequential damages resulting from the use or application of this equipment.

The examples and diagrams in this manual are included solely for illustrative purposes. Because of the many variables and requirements associated with any particular installation, Rockwell Automation, Inc. cannot assume responsibility or liability for actual use based on the examples and diagrams.

No patent liability is assumed by Rockwell Automation, Inc. with respect to use of information, circuits, equipment, or software described in this manual.

Reproduction of the contents of this manual, in whole or in part, without written permission of Rockwell Automation, Inc., is prohibited.

Throughout this manual, when necessary, we use notes to make you aware of safety considerations.



**WARNING:** Identifies information about practices or circumstances that can cause an explosion in a hazardous environment, which may lead to personal injury or death, property damage, or economic loss.



**ATTENTION:** Identifies information about practices or circumstances that can lead to personal injury or death, property damage, or economic loss. Attentions help you identify a hazard, avoid a hazard, and recognize the consequence



**SHOCK HAZARD:** Labels may be on or inside the equipment, for example, a drive or motor, to alert people that dangerous voltage may be present.



**BURN HAZARD:** Labels may be on or inside the equipment, for example, a drive or motor, to alert people that surfaces may reach dangerous temperatures.

---

**IMPORTANT** Identifies information that is critical for successful application and understanding of the product.

---

Allen-Bradley, Rockwell Automation, FLEX I/O, ControlLogix, RSLogix, RSLinx, and TechConnect are trademarks of Rockwell Automation, Inc.

Trademarks not belonging to Rockwell Automation are property of their respective companies.

This manual contains new and updated information. Changes throughout this revision are marked by change bars, as shown to the right of this paragraph.

### New and Updated Information

This table contains the major changes and additions made to this revision.

Topic	Page
Updated Frequency Resolution/Enhancement section.	<a href="#">33</a>
Updated Word 8 Bit/Word Definitions.	<a href="#">39, 40</a>

**Notes:**

Read this preface to familiarize yourself with the rest of the manual. It provides information concerning:

- who should use this manual
- the purpose of this manual
- related documentation

## Who Should Use this Manual

You must be able to program and operate an Allen-Bradley programmable controller (PLC) to make efficient use of this module.

We assume that you know how to do this in this manual. If you do not, refer to the appropriate programming and operations manual for the associated programmable controller before you attempt to use this module.

## Purpose of this Manual

This manual shows you how to use the FLEX I/O Very High Speed Counter module with an Allen-Bradley programmable controller. It helps you install, program, and troubleshoot your module.

For Information About	See Page
<a href="#">Overview of the Very High Speed Counter Module</a>	<a href="#">1</a>
<a href="#">Install Your FLEX I/O VHSC Module</a>	<a href="#">17</a>
<a href="#">Programming Your Very High Speed Counter Module</a>	<a href="#">55</a>
<a href="#">Communicate With Your Module</a>	<a href="#">29</a>
<a href="#">Interpret Status Indicators for your FLEX I/O Module</a>	<a href="#">47</a>
<a href="#">Specifications</a>	<a href="#">49</a>

## Additional Resources

These documents contain additional information concerning related Rockwell Automation products.

Resource	Description
FLEX I/O Selection Guide, publication <a href="#">1794-SG002</a>	A description and overview of the 1794 series FLEX I/O, FLEX I/O XT and FLEX Ex modules and compatible control platforms.
Very High Speed Counter Module Installation Instructions, publication <a href="#">1794-IN067</a>	Information on installing the FLEX I/O Very High Speed Counter Module.
ControlLogix System User Manual, publication <a href="#">1756-UM001</a>	Detailed information on how to install, configure and troubleshoot the ControlLogix module in your ControlLogix application.
EtherNet/IP Modules Installation Instructions, publication <a href="#">ENET-IN002</a>	Information on installing EtherNet/IP bridge modules.
FLEX I/O DC Power Supply Installation Instructions, publication <a href="#">1794-IN069</a>	Information on how to install the FLEX I/O DC Power Supply Catalog No. 1794-PS13, 1794-PS3.
EtherNet/IP Modules in Logix5000 Control Systems User Manual, publication <a href="#">ENET-UM001</a>	Detailed information on how to use EtherNet/IP modules with Logix5000 controllers and communicate with various devices on the Ethernet network.

---

Resource	Description
Industrial Automation Wiring and Grounding Guidelines, publication <a href="#">1770-IN041</a>	Provides general guidelines for installing a Rockwell Automation industrial system.
Product Certifications website, <a href="http://ab.com">http://ab.com</a>	Provides declarations of conformity, certificates, and other certification details.
Application Considerations for Solid-State Controls, publication <a href="#">SGI-1.1</a>	A description of important differences between solid-state programmable controller products and hard-wired electromechanical devices.
Allen-Bradley Industrial Automation Glossary, publication <a href="#">AG-7.1</a>	A glossary of industrial automation terms and abbreviations.

You can view or download publications at <http://www.rockwellautomation.com/literature/>. To order paper copies of technical documentation, contact your local Rockwell Automation distributor or sales representative.

## Common Techniques Used in this Manual

The following conventions are used throughout this manual:

- Bulleted lists such as this one provide information, not procedural steps.
- Numbered lists provide sequential steps or hierarchical information.
- *Italic* type is used for emphasis.

<b>Summary of Changes</b>	New and Updated Information.....	iii
<b>Preface</b>	Who Should Use this Manual .....	v
	Purpose of this Manual .....	v
	Additional Resources .....	v
	Common Techniques Used in this Manual.....	vi
	<b>Chapter 1</b>	
<b>Overview of the Very High Speed Counter Module</b>	Overview .....	1
	Module Description .....	1
	Module Features.....	1
	Encoder or Counter Mode .....	2
	Counter Mode .....	3
	Encoder Mode .....	4
	Direction of Count .....	5
	Preset Value.....	6
	Rollover Value.....	6
	Software Reset.....	6
	Gate/Reset Input.....	6
	Period/Rate Mode.....	8
	Operation of Scaler .....	10
	Connection to Counter Inputs.....	10
	Continuous/Rate Mode .....	10
	Rate Measurement Mode .....	11
	Sample Period .....	12
	Connection to Counter Inputs.....	12
	Pulse Width Modulation.....	12
	Outputs .....	13
	Enabling and Forcing Outputs.....	13
	Assigning Outputs to Counter Windows .....	13
	Operation of Outputs.....	13
	Isolation of Outputs .....	14
	Connecting Outputs to Counters .....	14
	What the Module Does.....	14
	Chapter Summary.....	15
	<b>Chapter 2</b>	
<b>Install Your FLEX I/O VHSC Module</b>	Overview .....	17
	Before You Install Your Module.....	17
	Power Requirements.....	17
	Install the Module.....	17
	Mount on a DIN Rail.....	18
	Install the Terminal Base Unit .....	18
	Mount on a Panel or Wall.....	20

	Mount the 1794-VHSC Module on the Terminal Base Unit . . . . .	21
	Wiring Information . . . . .	23
	Connect Wiring to the FLEX I/O VHSC Input Module . . . . .	24
	Connect Wiring Using a 1794-TB3G, 1794-TB3GK or 1794-TB3GS Terminal Base Unit . . . . .	24
	Chapter Summary . . . . .	28
	 <b>Chapter 3</b>	
<b>Communicate With Your Module</b>	Overview . . . . .	29
	Communication Over the I/O Backplane . . . . .	29
	Scheduled Data-Transfer . . . . .	30
	Unscheduled Data-Transfer . . . . .	30
	Module I/O Mapping . . . . .	30
	Application of New Configurations . . . . .	30
	I/O Structure . . . . .	31
	Adapter Input Status Word . . . . .	31
	Safe State Data . . . . .	32
	Device Actions . . . . .	32
	Communication Fault Behavior . . . . .	33
	Idle State Behavior . . . . .	33
	Input Data Behavior upon Module Removal . . . . .	33
	Frequency/Resolution Enhancement . . . . .	33
	Chapter Summary . . . . .	45
	 <b>Chapter 4</b>	
<b>Interpret Status Indicators for your FLEX I/O Module</b>	Overview . . . . .	47
	Status Indicators . . . . .	47
	Diagnostic Codes Returned by the Module . . . . .	48
	Chapter Summary . . . . .	49
	 <b>Appendix A</b>	
<b>Specifications</b>	Overview . . . . .	51
	 <b>Appendix B</b>	
<b>Programming Your Very High Speed Counter Module</b>	. . . . .	55
 <b>Index</b>	. . . . .	57



# Overview of the Very High Speed Counter Module

## Overview

This chapter gives you information on features of the modules, how the module communicates with controllers and how the module operates.

Topic	Page
<a href="#">Module Description</a>	1
<a href="#">Encoder or Counter Mode</a>	2
<a href="#">Period/Rate Mode</a>	8
<a href="#">Continuous/Rate Mode</a>	10
<a href="#">Rate Measurement Mode</a>	11
<a href="#">Pulse Width Modulation</a>	12
<a href="#">Outputs</a>	13
<a href="#">What the Module Does</a>	14

## Module Description

The 1794-VHSC module performs high speed counting for industrial applications. The module is an intelligent I/O module that interfaces signals with any Allen-Bradley programmable controller that has Ethernet capability.

The 1794-VHSC module, once configured for its intended purpose, can continue to operate without FlexBus power.

---

**IMPORTANT** Customer power is required for the module, inputs and outputs.

---

After scanning the inputs and updating the outputs, the input data is converted to a specified data type in a digital format to be transferred to the processor's data table on request. Command and configuration data is sent from the programmable controller data tables to the module via Ethernet.

## Module Features

The 1794-VHSC module counts pulses from encoders (such as Allen-Bradley Bulletin 845), pulse generators or mechanical limit switches, or proximity switches, and returns either a count or frequency in binary format.

The module features include:

- 2 counters configurable for 3 encoder modes, counter mode, period/rate mode, continuous/rate mode, rate measurement and pulse width modulation (PWM)
- 4 outputs, isolated in pairs
- outputs are current-sourcing at 5 or 12...24V DC (0.5 mA max @ 5V; 1 A max @ 12...24V)
- single-ended or differential inputs
- 2-phase encoder inputs up to a frequency of 250 KHz (X 4 mode)
- single-phase counter inputs up to a frequency of 1 MHz
- input voltage range of 5 or 24V DC
- returns input as count or frequency in binary format
- input counts as high as 16,777,215
- up to 1 MHz in period/rate or rate measurement frequency modes
- outputs can be tied to any or all counter windows
- each output has a user-selectable on-off value
- outputs can be tied back to an input for cascading
- each counter has a user-selectable preset and rollover value
- totalization is provided in period/rate, continuous/rate and rate measurement modes
- module can continue counting without flexbus power (after configuration)
- outputs have safe state values which can be applied when there is a network failure or the PLC is switched to PROGRAM mode
- pulse width modulation (PWM) mode is available

The 1794-VHSC module operates in the following modes:

- counter mode
- encoder X1 mode
- encoder X2 mode
- encoder X4 mode
- period/rate mode
- continuous/rate mode
- rate measurement frequency mode
- pulse width modulation (PWM)

## Encoder or Counter Mode

The operation of encoder and counter modes is virtually identical. The only difference between the two modes is in the type of feedback used.

Use the counter mode if you need the module to read incoming pulses from a maximum of 2 encoders (single-ended or differential), counters, pulse generators, mechanical limit switches, etc. and return them to the programmable controller as a binary number (0...16,777,215).

Use the encoder modes if you need the module to read incoming quadrature pulses and return them to the programmable controller as a binary number (0...16,777,215). In these modes, the module accepts two-phase quadrature feedback and counts up or down depending upon the condition of the phase B input for each counter.

The operation of the module in the encoder/counter modes is as follows:

- counter mode – channel B is direction control (up or down). Channel A input is used for pulse. The count is bidirectional with the direction determined by channel B.
- encoder X1 – This is a bidirectional count mode; counting up or down, using quadrature input signals.
- encoder X2 – This is a bidirectional count mode, using quadrature input signals, with 2 times the resolution of X1.
- encoder X4 – This is a bidirectional count mode, using quadrature input signals, with 4 times the resolution of X1.

Each of the counters in encoder/counter mode has values associated with it. These are:

- preset value
- rollover value

## Counter Mode

The counter mode allows the module to read incoming pulses and return them to the programmable controller processor as a binary number (0...16,777,215).

In the counter mode, direction (up counting or down counting) is determined by the phase B input, which can be a random signal. If Phase B is high, the counter will count down. If phase B is low or floating, (that is, not connected), the counter counts up.

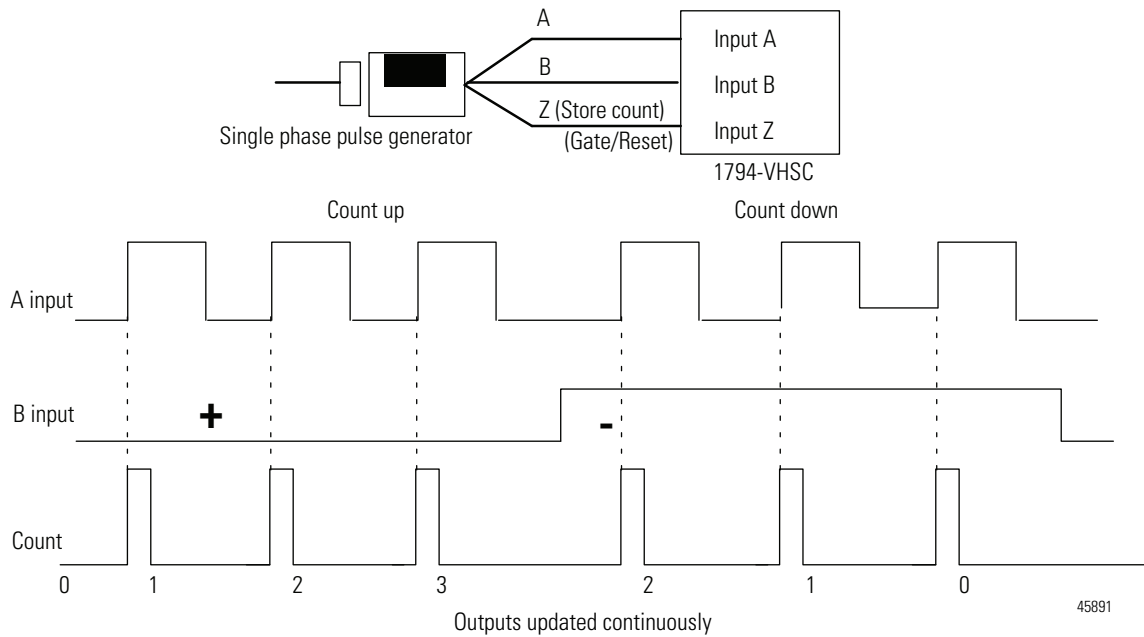
### Counter Mode Direction

Phase B Input	Count direction
High	Down
Low or floating (not included)	Up

The module reads incoming pulses from a maximum of 2 encoders (single-ended or differential), counters, pulse generators, mechanical limit switches, and so forth and returns a count to the programmable controller processor in a binary number (0-16,777,215).

The counter mode accepts only one phase feedback. This relationship is shown in Figure [Block Diagram of Counter Mode on page 4](#).

### Block Diagram of Counter Mode



### Encoder Mode

The encoder mode allows the module to read incoming pulses and return them to the programmable controller processor as a binary number (0-16,777,215).

In this mode, the module will accept two phase quadrature feedback. The module senses the relationship between the 2 phases and counts up or down accordingly.

**Encoder X1 mode** – quadrature input signals count on the leading edge or the trailing edge of channel A for a bidirectional count. The phase relationship between Channel A and Channel B determines direction — channel A leading, and channel B floating, the count direction is up; Channel A lagging, and Channel B high, the count direction is down.

**Encoder X2 mode** – quadrature input signals count on the leading edge and the trailing edge of channel A for a bidirectional count. Channel B determines direction — B low (floating), the count direction is up; B high, the count direction is down.

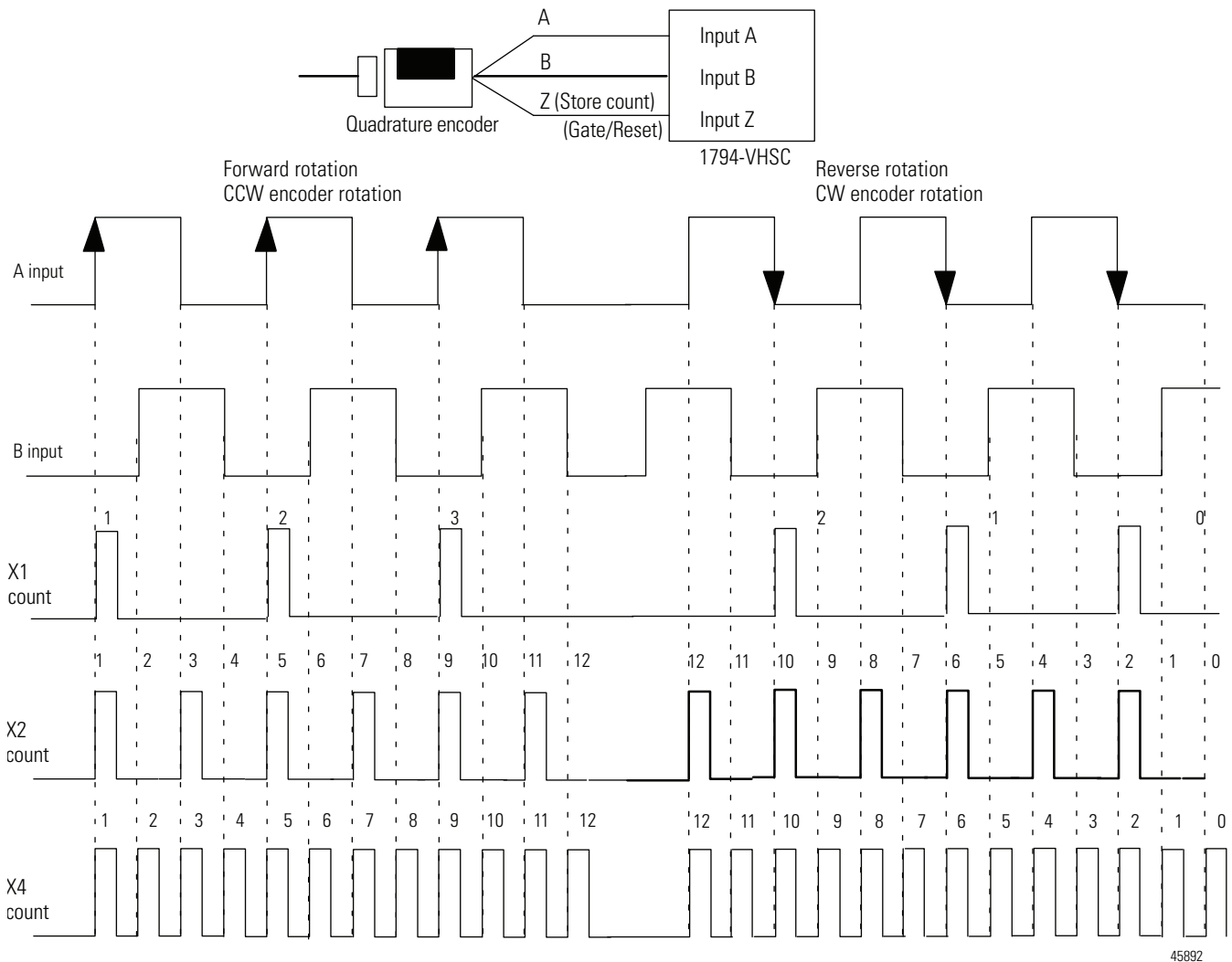
**Encoder X4 mode** – quadrature input signals count on the leading edge and the trailing edge of channel A and channel B for a bidirectional count. Channel B determines direction — B low (floating), the count direction is up; B high, the count direction is down.

## Direction of Count

The module can count either up or down, depending upon the condition of the B input for each counter. In encoder applications, the counter will increment on the leading edge of input A, while input B determines the direction of the count.

You also have the option of X1, X2 and X4 multiplying of the input pulses. See Figure [Phase Relationship for Forward or Reverse Directions on page 5](#) for the relationships between inputs A and B for forward and reverse directions in encoder applications.

### Phase Relationship for Forward or Reverse Directions



The following paragraphs apply to both encoders and counters.

## Preset Value

Each of the 2 counters has one preset value associated with it. In the encoder or counter modes, the preset value represents a reference point (or count) from which the module begins counting. The module can count either up or down from the preset value. Preset values are loaded into the count registers through the preset count bits. Preset values can range from 0 to 16,777,215 binary.

## Rollover Value

Each of the 2 counters has one rollover value associated with it. When the rollover value is reached by the encoder/counter, it resets to 0 and begins counting again. The rollover values range from 1 to 16,777,216 binary. The rollover value is circular. For example: if you program 360, the count will be from 358, 359, 0, 1, and so on, in a positive direction and from 1, 0, 359, 358, and so on, in a negative direction.

## Software Reset

The counters can also be reset by the Reset Count bits found in Word 0, bits 0 and 4 of the Counter Control word. When one of these bits is set to 1, the associated counter is reset to zero and begins counting. The module can also be reset with the gate/reset as explained below. For more details, .

## Gate/Reset Input

There is one gate/reset input for each of the 2 counters. The gate/reset input, when active, will function in one of the 4 store count modes outlined below.

### Scaling Input Count at the Gate/Reset Terminal

You can scale the incoming count at the gate/reset terminal. Scaling allows the incoming pulses at gate/reset to be divided by a number in the range of 1, 2, 4, 8, 16, 32, 64 and 128.

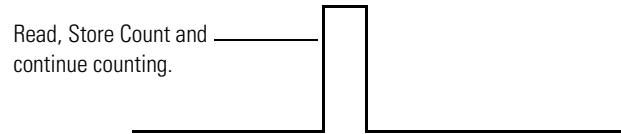
### Store Count

The store count feature allows the module to store the current count value of the associated counter. The store count feature is triggered by the state of the gate/reset terminal on the module. The stored count of each counter is placed in a separate word in the Read Data file. The stored count value will remain in the Read Data file until a new trigger pulse is received at the Gate/Reset terminal. When a new trigger pulse is received, the old count value will be overwritten by the new value.

In mode 1, store/continue (see Figure [Store/Continue on page 7](#)), the leading edge of a pulse input on input Z (gate/reset) terminal causes the current value in

the counter to be read and stored. The counter will continue counting. The stored count will be available in the Read Data file. The stored count information will remain in the block transfer read file until it is overwritten by new data.

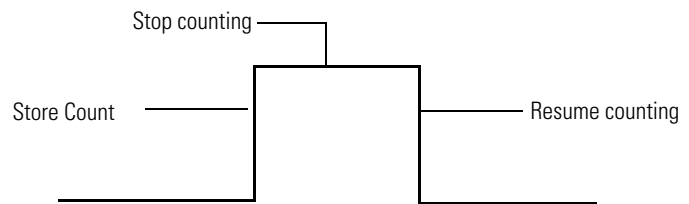
**Store/Continue**



In mode 2, store/wait/resume (see Figure [Store/Wait/Resume on page 7](#)), a rising edge of a pulse input on the Z input (gate/reset) terminal reads and stores the current counter value in the Read Data file, and inhibits counting while the gate/reset input is high. Counting resumes when the input goes low.

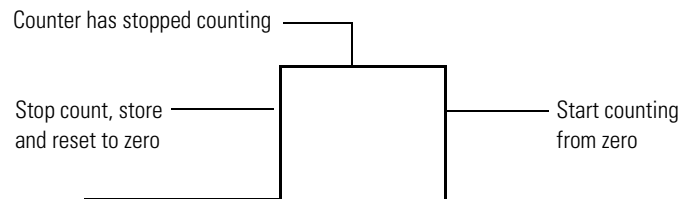
Mode 2 does not reset the counter, although it does store the count value. The stored count is available in the Read Data file. The stored count remains in the Read Data file until it is overwritten with new data.

**Store/Wait/Resume**



In mode 3, store-reset/wait/start (see Figure [Store-Reset/Wait/Start on page 7](#)), the rising edge of the pulse on input Z (gate/reset) terminal causes the counter to stop counting, store the current count value in the Read Data file and reset the count to zero. The counter does not count while the Z input on the gate/reset terminal remains high. Counting resumes from zero on the falling edge of the pulse at the Z (gate/reset) terminal. The stored count is available in the Read Data file. The stored count remains in the Read Data file until it is overwritten with new data.

**Store-Reset/Wait/Start**



In mode 4, store-reset/start (see Figure [Store-Reset/Start on page 8](#)), on the rising edge of a pulse input at the Z (gate/reset) terminal causes the counter to store the accumulated count value in the Read Data file, and reset the counter to zero. The counter continues counting while the Z gate/reset input is high. The stored count

is available in the Read Data file. The stored count remains in the Read Data file until it is overwritten with new data.

**Store-Reset/Start**



The figures show the store count feature operating on the rising edge of the gate/reset pulse. The user has the option of electing these same features using the falling edge of the gate/reset pulse. The gate invert bit is active in the store count, continuous/rate and period/rate modes.

**Period/Rate Mode**

Use the period/rate mode to determine the frequency of input pulses by counting the number of internal 5MHz clock pulses over a user-specified number of input signal pulses. At the end of the specified number of pulses, the module returns the frequency and the total number of pulses received.

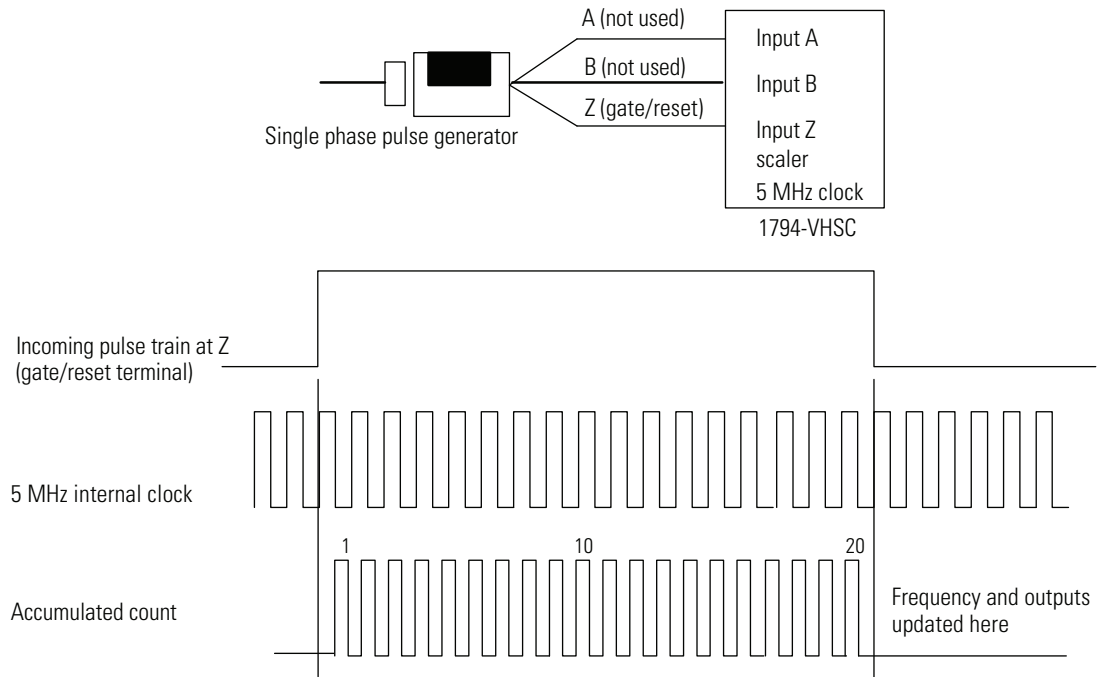
A channel configured for period/rate mode acts as a period rate counter. An internal 5MHz clock is used as a frequency reference. This clock is gated by the incoming pulse train at the gate/reset input. The results of this gating action are the number of pulses or a frequency. The frequency is returned in input file words 0 (LSW) and 1 (MSW) for channel 0 and word 2 (LSW) and 3 (MSW) for channel 1. The total pulses received is stored in input file words 4 (LSW) and 5 (MSW) for channel 0 and words 6 (LSW) and 7 (MSW) for channel 1. Select the period/rate mode by setting the appropriate bits in word 0 of the configuration block.

1794-VHSC modules count the total number of pulses occurring at the Z (gate/reset) pin. This function is frequency-limited to 200Hz X the scaler value. You can reset this count by setting the VR bit.

Figure [Period/Rate Mode on page 9](#) shows a diagram of the module used in the period/rate mode.



**Period/Rate Mode**



Assumes symmetrical pulse, 50% duty cycle, so period = sample time on X 2 (on and off) 45893  
 Frequency = 1/period  
 If count = 25, scaler = 1, and clock period = (1/5 MHz)  
 Frequency = 1 / [(25/1) X (1/5 MHz) X 2] = 100 KHz

In Figure [Period/Rate Mode on page 9](#), the incoming pulse train from the gate/reset terminal is used to sample pulses from the 5 MHz internal clock. As the frequency of the incoming pulse train at the gate/reset terminal increases, the number of sampled pulses from the 5 MHz clock decreases. This relationship is shown in NO TAG. Since accuracy is related to the number of pulses received over the sample period, the accuracy will decrease with increasing input frequencies at the Gate/Reset terminal.

To some extent, the decrease in accuracy can be lessened by scaling the input frequency through the use of a scaler. A scaler value of 1 will only return an accurate input frequency if incoming pulses have a 50% duty cycle.

**Relationship Between Sampled Pulses and Input Frequency**

Input Frequency at Z (Gate/Reset) Terminal in Hz	Sampled Pulses for 1/2 Cycle of Z (Gate/Reset) Pulse
2	1.25M
5	500K
10	250K
20	125K
50	50K
100	25K

### Relationship Between Sampled Pulses and Input Frequency

Input Frequency at Z (Gate/Reset) Terminal in Hz	Sampled Pulses for 1/2 Cycle of Z (Gate/Reset) Pulse
200	12.5K
500	5K
1 KHz	2.5K
2 KHz	1.25k
5 KHz	500
10 KHz	250
20 KHz	125
50 KHz	50
100 KHz	25

#### Operation of Scaler

In period/rate mode, the scaler lets the incoming pulse train at the Z (gate/reset) terminal be divided by a user defined number. Acceptable values for the scaler are 1, 2, 4, 8, 16, 32, 64 and 128. There is one scaler value for each counter.



**ATTENTION:** Sample period times scaler must be less than 6.71 s in order to avoid a zero frequency detect indication.

#### Connection to Counter Inputs

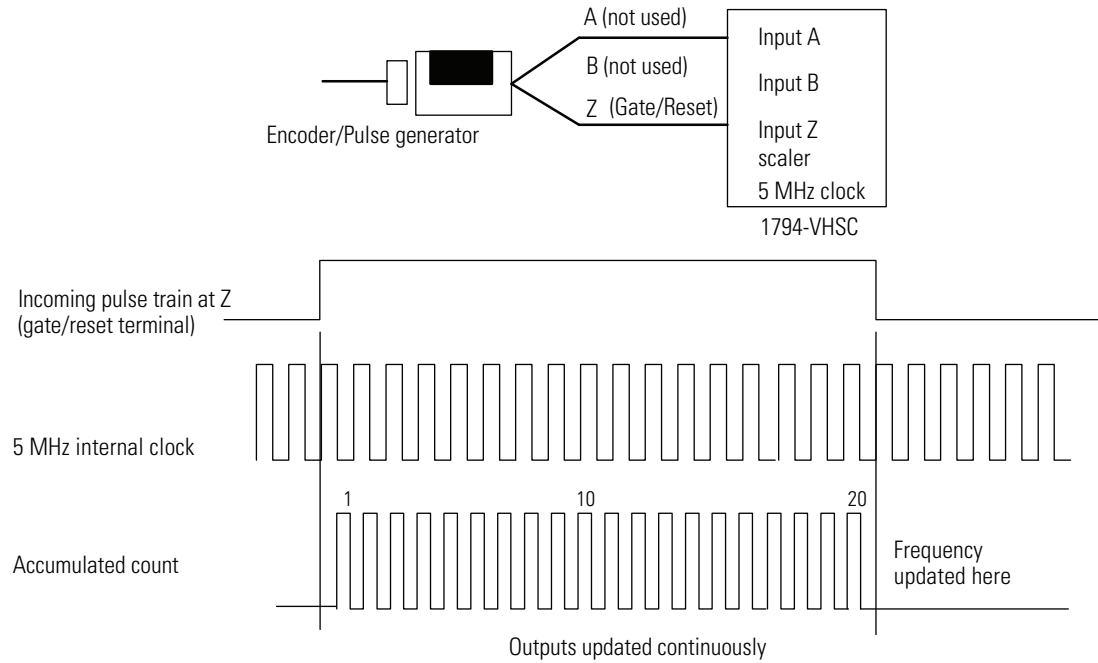
The only input to the module in the period/rate mode is made to the Z (gate/reset) terminal. The counter inputs (channel A and B) are not used in the period/rate mode.

## Continuous/Rate Mode

The continuous/rate mode is similar to the period/rate mode previously described except the outputs in this mode are dynamic outputs. Use this mode to determine the frequency of input pulses by counting the number of internal 5 MHz clock pulses over a user-specified number of input signal pulses. Each output is turned on as soon as the turn-on count is reached, and turned off as soon as the turn-off count is reached. As the internal 5 MHz clock is counted, the outputs dynamically track the 5 MHz count. This allows you to turn an output on a certain number of 5 MHz counts after the gate/reset pin goes active, and turn it off a certain number of 5 MHz counts later.

1794-VHSC module counts the total number of pulses occurring at the Z (gate/reset) terminal. This function is frequency-limited to 200 Hz X the scaler value. This total count is returned in input file words 4 (LSW) and 5 (MSW) for channel 0 and 6 (LSW) and 7 (MSW) for channel 1. You can reset this count by setting the VR bit.

**Period/Rate and Continuous/Rate Output Operation with Scaler of 1**



Assumes symmetrical pulse, 50% duty cycle, so period = sample time on X 2 (on and off)  
 Frequency = 1/period  
 If count = 25, scaler = 1, and clock period = (1/5 MHz)  
 Frequency = 1 / [(25/1) X (1/5 MHz) X 2] = 100 KHz

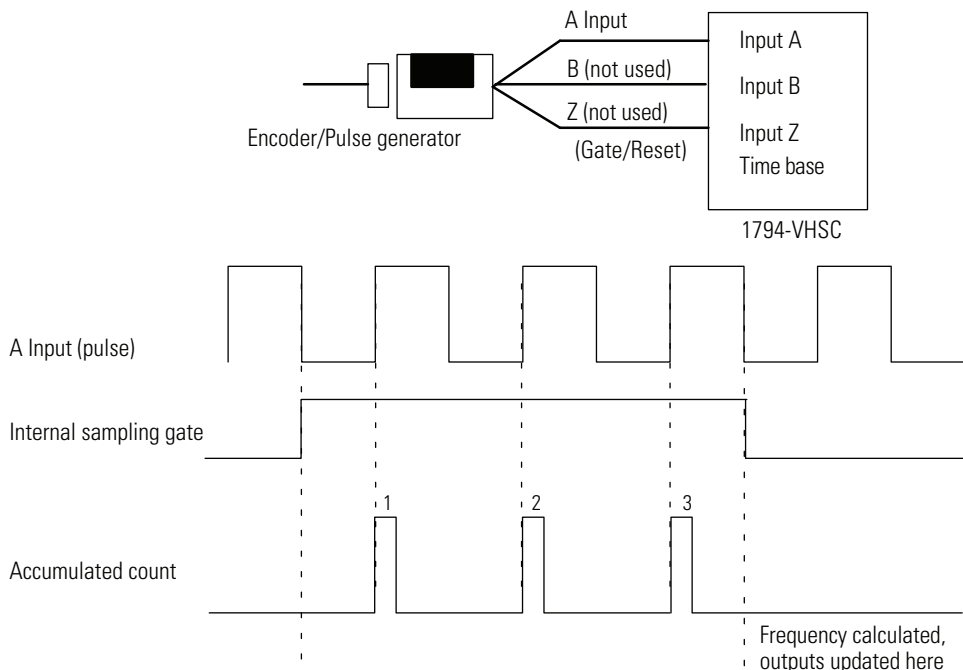
45894

**Rate Measurement Mode**

Use the rate measurement mode to count incoming pulses for a user-specified time interval. At the end of the interval, the module returns a value representing the sampled number of pulses and a value indicating the incoming frequency. When the count and frequency are updated, any associated outputs are checked against their associated presets.

The value representing the total number of pulses is returned in input file words 4 (LSW) and 5 (MSW) for channel 0 and 6 (LSW) and 7 (MSW) for channel 1, and the value indicating the incoming frequency is returned in words 0 (LSW) and 1 (MSW) and 2 (LSW) and 3 (MSW). The total count equals the running sum of the number of pulses received during the sample period. The operation of rate measurement mode is shown in [Figure Operation of the Rate Measurement Mode on page 12.](#)

### Operation of the Rate Measurement Mode



If sample period is 50 ms, and count = 3, then frequency = 3/50 ms = 60 Hz

45895

**EXAMPLE** In , three counts have been accumulated during the user-selected time period. If you had selected 50 ms as the sample period, the frequency returned to the programmable controller processor would be:  
 Frequency = Counts/Sample period = 3 counts/50 ms = 60 Hz

#### Sample Period

You can set the sample period used in the frequency calculation in the rate measurement mode. Allowable values are 10 ms to 3 s in 10 ms increments. The default value is 1 s.

#### Connection to Counter Inputs

The only user connections used in the rate measurement mode are to phase A of the module. The Z (gate/reset) and channel B terminals are not used in this mode.

## Pulse Width Modulation

The module can generate a pulse width modulation signal that may be tied to any output. By specifying a period (configuration word 2) and gate interval (configuration word 2 or 3) together with the PWM configuration word 2 or 3, a counter and its first ON/OFF window comparator is assigned and the signal generated. The actual duty cycle is specified by output words 2 and 3.

## Outputs

The 1794-VHSC module has 4 outputs, isolated in groups of 2. Each of the outputs is capable of sourcing current and will operate between 5 and 24V DC. You must connect an external power supply to each of the outputs. The outputs can source 1 A DC alone or in combination. The outputs are hardware-driven and will turn on in about 25 s when the appropriate count value has been reached.

### Enabling and Forcing Outputs

Outputs may be forced on or off independent of count or frequency value. To force the outputs, they must first be enabled. Enabling the outputs is done through a data table word 1, bits 1, 5, 9 and 13 (see Figure [1794-VHSC — High Speed Counter Module Image Table Mapping on page 35](#)). Once the outputs have been enabled, they may be forced on by setting bits 0, 4, 8 or 12 in word 1. The outputs can be forced off by setting the enable bit to 0.

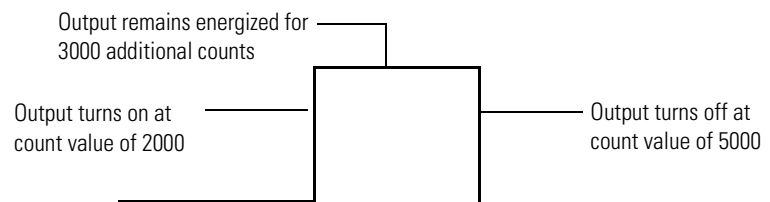
### Assigning Outputs to Counter Windows

By setting bits in the configuration block, you can assign the outputs on the module to any of the various counter windows. You can assign any output to any count window with no restrictions.

#### *Operation of Outputs*

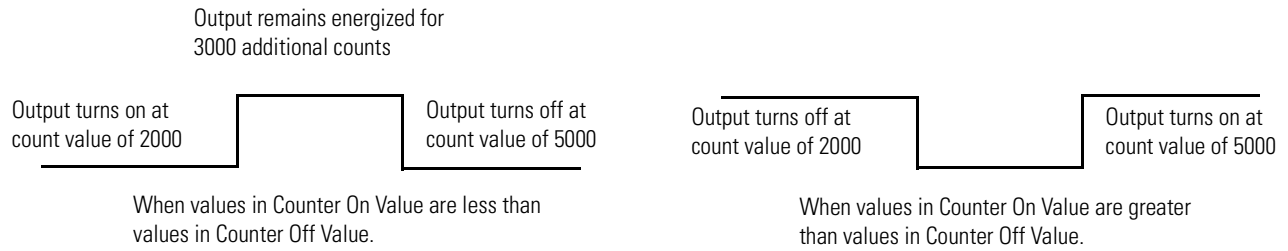
When the outputs for the 1794-VHSC module are enabled and assigned to a counter window they operate in an ON-OFF fashion. For example, assume that the module were programmed to turn ON an output when a count value of 2000 was reached. Further, assume that the user desired to have the output remain energized for a period of 3000 counts and then turn OFF. The end result would be that the outputs would turn ON at count of 2000, would remain energized for 3000 additional counts, and would turn OFF at 5000 counts. The ON and OFF values are circular around zero (see Figure [On-Off Operation of Output on page 13](#)).

#### **On-Off Operation of Output**



Using output 0 as an example, when the value in Counter ON Value is less than the value in Counter OFF Value, the output turns on at 2000 and off at 5000. If the value in Counter ON Value is greater than the value in Counter OFF Value, the output turns off at 2000 and on at 5000 (see Figure [Effect of Values in On/Off Operation on page 14](#)).

### Effect of Values in On/Off Operation



### Isolation of Outputs

The module provides 850V DC isolation between each of the outputs and the FlexBus.

### Connecting Outputs to Counters

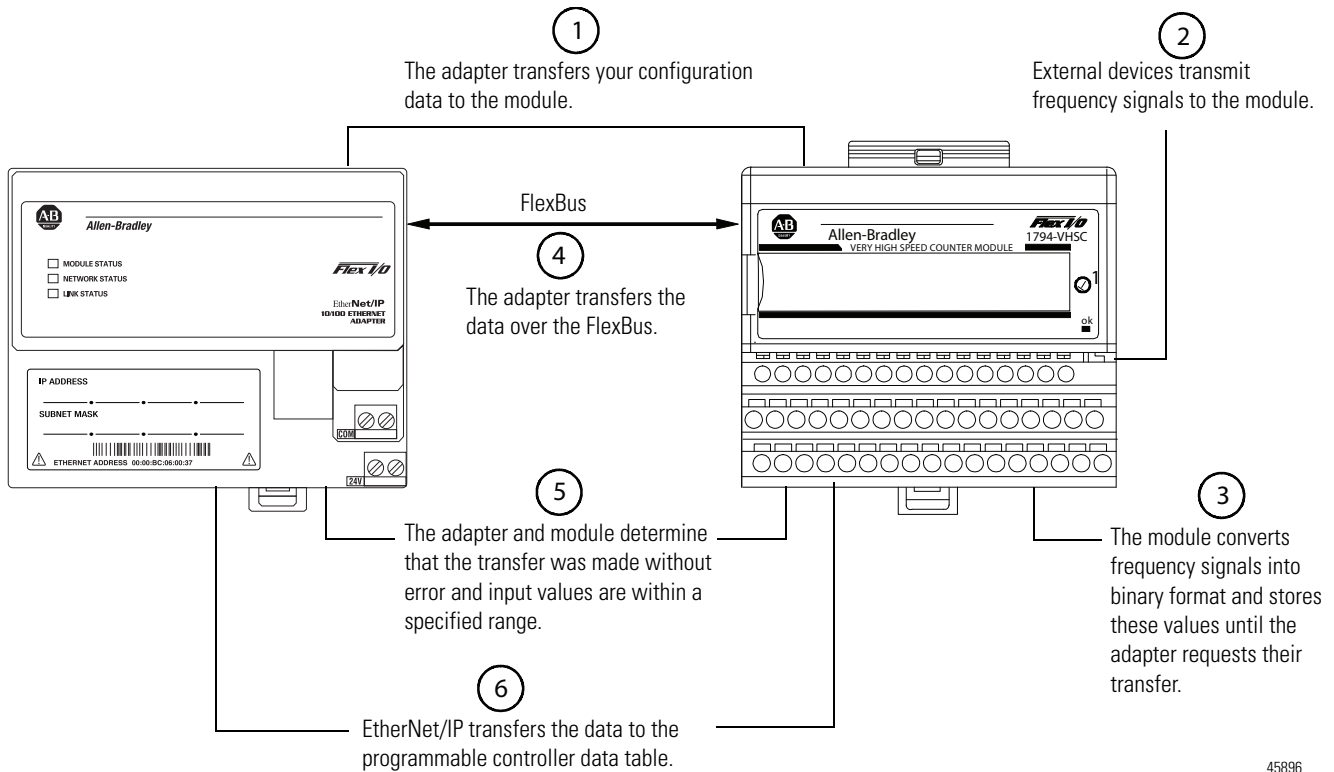
You can connect any of the outputs to any of the counter inputs. In this way, it is possible to use the outputs to reset a counter or to cascade counters. If using the outputs this way, make certain that the output voltage is compatible with the chosen input.

## What the Module Does

The very high speed counter module performs high-speed scaling calculation operations for various industrial applications. The module interfaces with a FLEX I/O family EtherNet/IP adapter which then communicates with a programmable controller processor.

The adapter/power supply transfers data to and from the module over the FlexBus. Instructions in the programmable controller facilitate this communication and let you write output values and configure the module's mode of operation. Figure [FLEX I/O Communication Process on page 15](#) describes the communication process.

### FLEX I/O Communication Process



45896

1. The adapter transfers your configuration data and commands to the module.
2. External devices generate input signals that are transmitted to the module.
3. The module converts these signals into binary format, and stores these values and controls their output until the adapter requests their transfer.
4. The adapter transfers the data over the FlexBus.
5. The adapter and module determine that the transfer was made without error and inputs values are within a specified range.
6. EtherNet/IP transfers the data to the programmable controller data table.

## Chapter Summary

In this chapter you learned how your module operates, and how your module communicates with the programmable controller.

**Notes:**



## Install Your FLEX I/O VHSC Module

### Overview

This chapter describes how to physically install the 1794-VHSC adapter on the DIN rail and connect it to the EtherNet/IP network.

Topic	Page
<a href="#">Before You Install Your Module</a>	17
<a href="#">Power Requirements</a>	17
<a href="#">Install the Module</a>	18
<a href="#">Mount on a DIN Rail</a>	18
<a href="#">Mount on a Panel or Wall</a>	20
<a href="#">Mount the 1794-VHSC Module on the Terminal Base Unit</a>	21
<a href="#">Wiring Information</a>	23
<a href="#">Connect Wiring to the FLEX I/O VHSC Input Module</a>	24
<a href="#">Connect Wiring Using a 1794-TB3G, 1794-TB3GK or 1794-TB3GS Terminal Base Unit</a>	24

### Before You Install Your Module

Before installing your 1794-VHSC very high speed counter module, you need to:

- Calculate the power requirements of all modules in the FLEX I/O system, and,
- Position the keyswitch on the terminal base.

### Power Requirements

The wiring of the terminal base unit is determined by the current draw through the terminal base. Make certain that the current draw does not exceed 10 A.



**ATTENTION:** Total current draw through the terminal base unit is limited to 10 A. Separate power connections may be necessary.

Methods of wiring the terminal base units are shown in [Wiring Information on page 23](#).

## Install the Module

Installation of the module consists of:

- mount the terminal base unit
- install the 1794-VHSC module into the terminal base unit
- install the connecting wiring into the terminal base unit

If you are installing your module into a terminal base unit that is already installed, proceed to See [Mount on a DIN Rail on page 18](#).

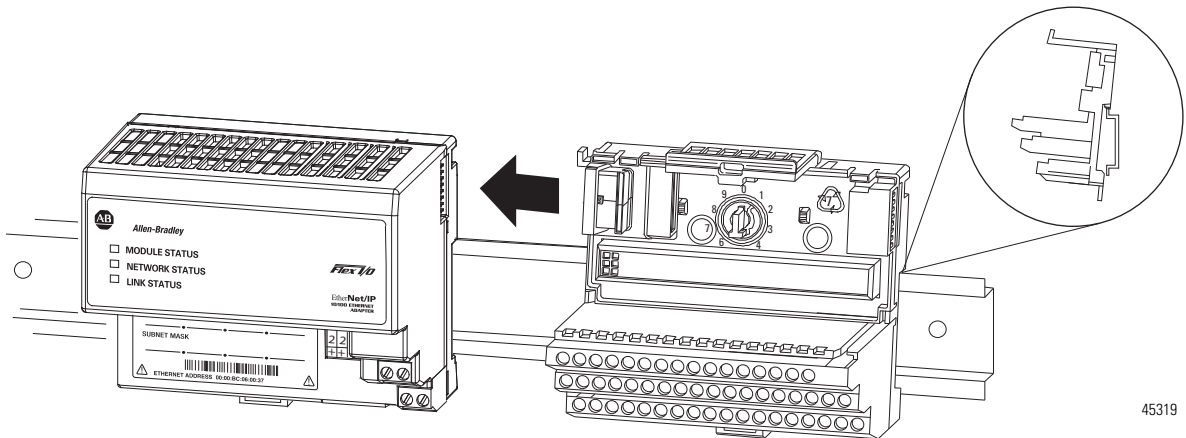
## Mount on a DIN Rail



**ATTENTION:** Do not remove or replace a terminal base unit when power is applied. Interruption of the FlexBus can result in unintended operation or machine motion.

### *Install the Terminal Base Unit*

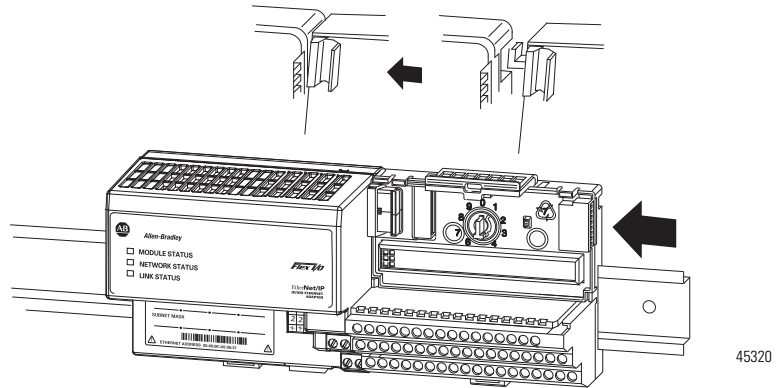
1. Remove the cover plug in the male connector of the unit to which you are connecting this terminal base unit.
2. Check to make sure that the 16 pins in the male connector on the adjacent device are straight and in line so that the mating female connector on this terminal base unit will mate correctly.



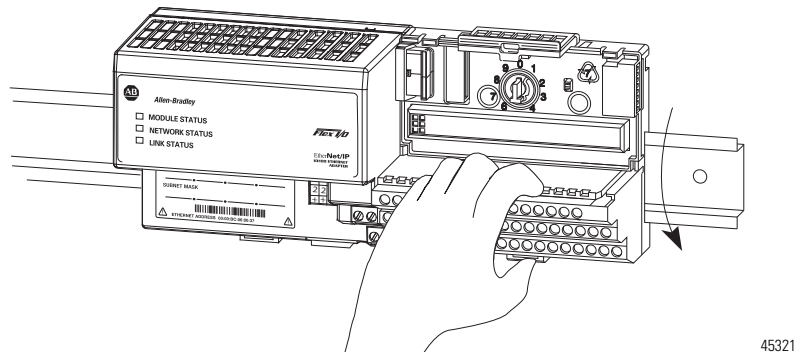
45319

Make certain that the female FlexBus connector is fully retracted into the base unit.

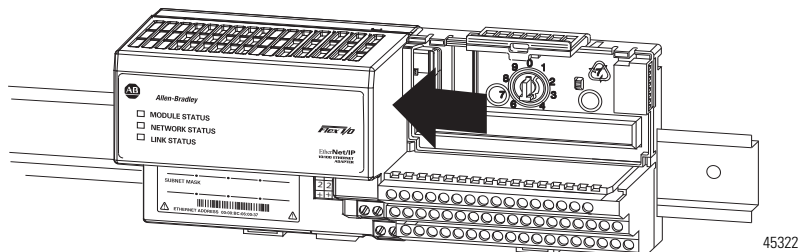
- Position the terminal base at a slight angle and hooked over the top of the 35 x 7.5 mm DIN rail A (Allen Bradley part number 199-DR1; 46277-3).



- Slide the terminal base over tight against the adapter, or proceeding terminal base. Make sure the hook on the terminal base slides under the edge of the adapter, or proceeding terminal base, and the FlexBus connector is fully retracted.
- Pivot the terminal base onto the DIN rail with the top of the rail hooked under the lip on the rear of the terminal base. Use caution to make sure that the female FlexBus connector does not strike any of the pins in the mating male connector.
- Press down on the terminal base unit to lock the terminal base on the DIN rail. If the terminal base does not lock into place, use a screwdriver or similar device to open the locking tab, press down on the terminal base until flush with the DIN rail and release the locking tab to lock the base in place.



Gently push the FlexBus connector into the side of the adapter, or proceeding terminal base to complete the backplane connection.



For specific wiring information, refer to the installation instructions for the module you are installing in this terminal base unit.

7. Repeat the above steps to install the next terminal base unit. Ensure that the cover of the FlexBus connector on the last terminal base unit is in place.

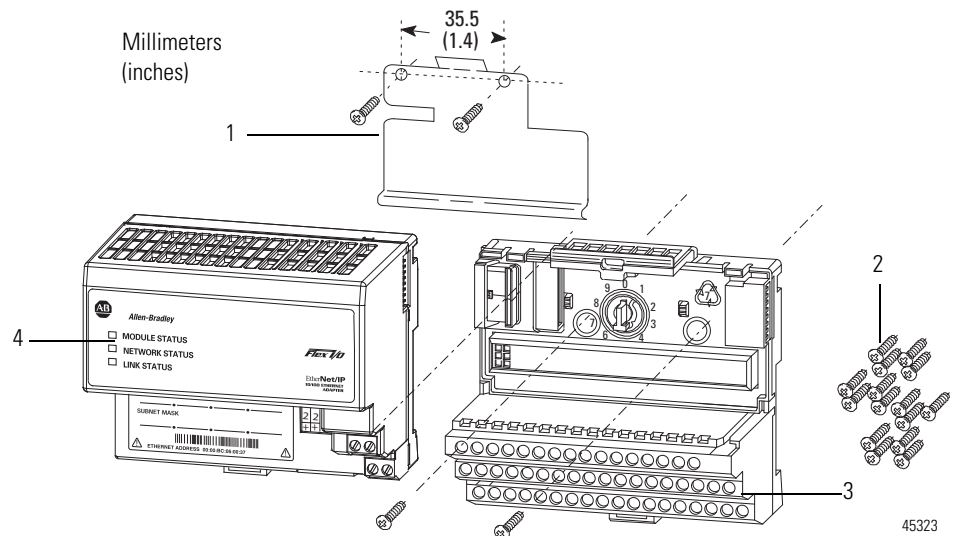
## Mount on a Panel or Wall

Installation of a FLEX I/O system on a wall or panel consists of:

- laying out the drilling points on the wall or panel.
- drilling the pilot holes for the mounting screws.
- mounting the adapter mounting plate.
- installing the terminal base units and securing them to the wall or panel.

Use the mounting kit Cat. No. 1794-NM1 for panel or wall mounting.

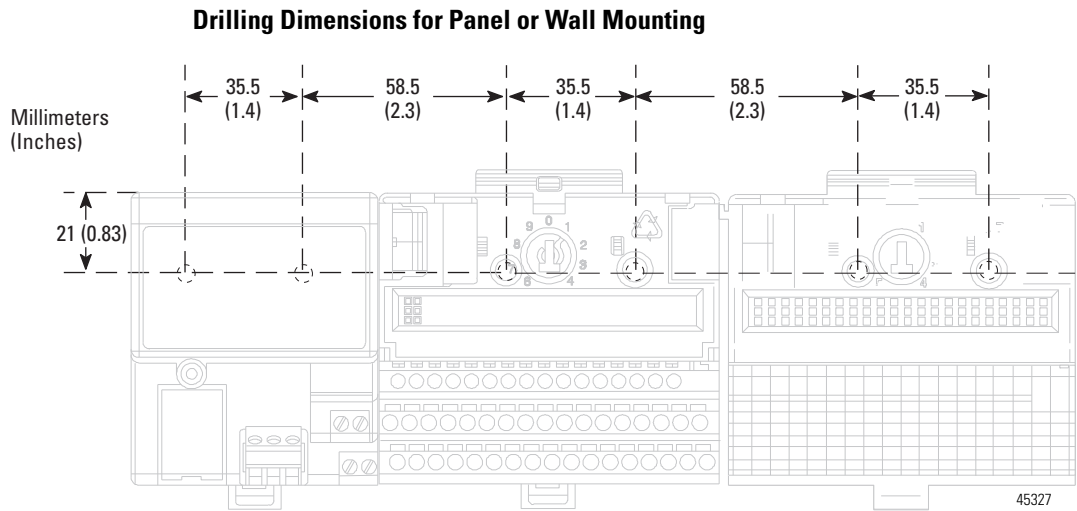
### 1794-NM1 Mounting Kit



	Description		Description
1	Mounting plate for adapter	3	Terminal base unit (not included)
2	#6 Self-tapping screws	4	Adapter module (not included)

To install the mounting plate on a wall or panel:

Lay out the required points on the wall or panel as shown in the Figure [Drilling Dimensions for Panel or Wall Mounting on page 21](#).



8. Drill the necessary holes for the #6 self-tapping mounting screws.
9. Mount the mounting plate for the adapter module using two #6 self-tapping screws – 18 screws are included for mounting up to 8 modules and the adapter.

---

**IMPORTANT** Make certain that the mounting plate is properly grounded to the panel. Refer to Industrial Automation Wiring and Grounding Guidelines, publication [1770-IN041](#).

---

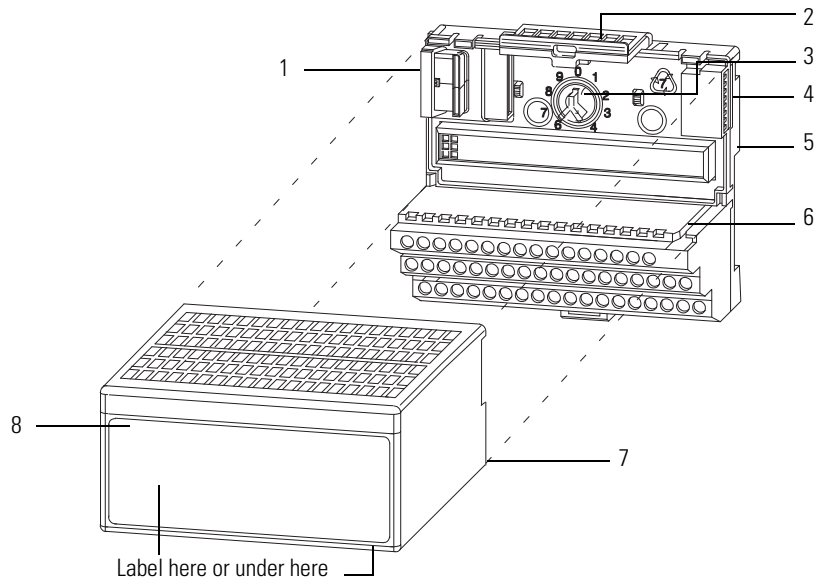
10. Hold the adapter at a slight angle and engage the top of the mounting plate in the indentation on the rear of the adapter module.
11. Press the adapter down flush with the panel until the locking lever locks.
12. Position the terminal base unit up against the adapter and push the female bus connector into the adapter.
13. Secure to the wall with two #6 self-tapping screws.
14. Repeat for each remaining terminal base unit.

## Mount the 1794-VHSC Module on the Terminal Base Unit

The 1794-VHSC module mounts on a 1794-TB3G or 1794-TB3GS terminal base unit.

1. Rotate keyswitch (3) on terminal base unit (4) clockwise to position 1 as required for the module.  
Do not change the position of the keyswitch after wiring the terminal base unit.

**FLEX I/O Terminal Base and Very High Speed Counter Parts**



40231

	Description		Description
1	FlexBus connector	5	Base unit
2	Latching mechanism	6	Alignment groove
3	Keyswitch	7	Alignment bar
4	Cap plug	8	Module

2. Make certain the FlexBus connector (1) is pushed all the way to the left to connect with the neighboring terminal base or adapter.  
You cannot install the module unless the connector is fully extended.
3. Make sure the pins on the bottom of the module are straight so they will align properly with the connector in the terminal base unit.



**ATTENTION:** If you remove or insert the module while the backplane power is on, an electrical arc can occur. This could cause an explosion in hazardous location installations. Be sure that power is removed or the area is nonhazardous before proceeding.

4. Position the module (8) with its alignment bar (7) aligned with the groove (6) on the terminal base.
5. Press firmly and evenly to seat the module in the terminal base unit.  
The module is seated when the latching mechanism is locked into the module.
6. Remove cap plug and attach another terminal base unit to the right of this terminal base unit if required.  
Make sure the last terminal base has the cap plug in place.

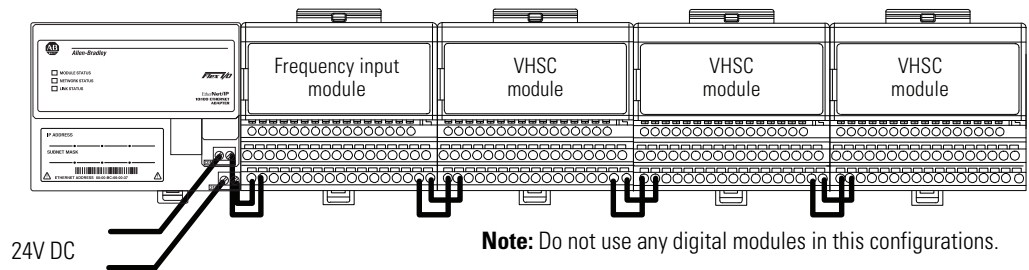
**IMPORTANT** The adapter is capable of addressing eight modules. Do not exceed a maximum of eight terminal base units in your system.

## Wiring Information

This section provides essential wiring information for the 1794-TB3G, 1794-TB3GK, and 1794-TB3GS terminal base units. It also includes instructions for connecting wiring to the FLEX I/O module.

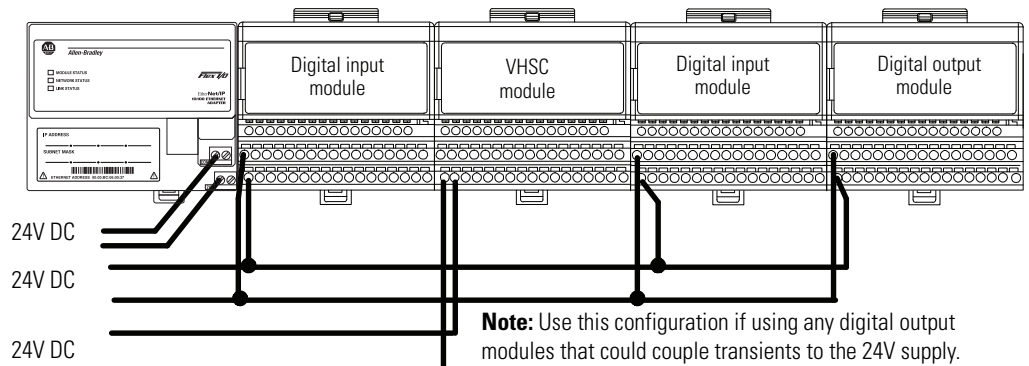
### Wire the Terminal Base Units (1794-TB3G shown)

#### Daisy-chaining



#### Wiring when total current draw is less than 10 A

#### Individual



#### 1794-VHSC module wiring separate from digital wiring.

#### Wiring when total current draw is greater than 10 A

45897

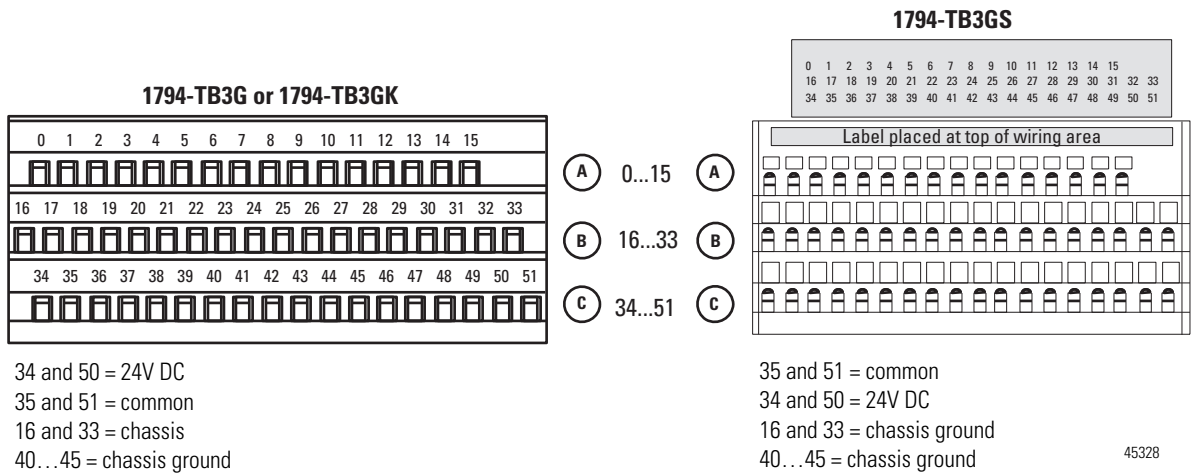


**ATTENTION:** Take note of the following considerations when wiring your terminal base units:

- All modules must be frequency or analog modules for the daisychain configuration.
- Use the individual type of configuration for any "noisy" DC digital I/O modules in your system.
- All modules powered by the same power supply must be frequency or analog modules for the combination type of configuration.

Wiring the FLEX I/O VHSC Input module is done using the 1794-TB3G, 1794-TB3GK or the 1794-TB3GS terminal base unit.

### 1794-TB3G, 1794-TB3GK and 1794-TB3GS Wiring Connections



### Connect Wiring to the FLEX I/O VHSC Input Module

Wiring to the 1794-VHSC Input module is made through the terminal base unit on which the module mounts.

The module is compatible with the 1794-TB3G, 1794-TB3GK and 1794-TB3GS terminal base units.

### Connect Wiring Using a 1794-TB3G, 1794-TB3GK or 1794-TB3GS Terminal Base Unit

1. Connect the individual signal wiring to numbered terminals on the 0...15 row (A) for 24V inputs (terminals 0...5 and 8...13) and 17...32 row (B) for 5V inputs (terminals 17...22 and 25...30) on the terminal base unit. Connect the input devices as shown in [Table Wiring connections for the 1794-VHSC High Speed Counter Module on page 26](#).



**ATTENTION:** Do not connect 24V signals to the 5V input terminals. Permanent damage to the module will result.

2. Connect individual output wiring to terminals 6, 7 and 14, 15 on the 0...15 row (A) and terminals 23, 24 and 31, 32 on the 16...32 row (B) on the terminal base unit. Connect output return wiring for channels 0, 1, 2, and 3 to terminals 23, 24 31 and 32 respectively. Connect the output devices as shown in [Table Wiring connections for the 1794-VHSC High Speed Counter Module on page 26](#)
3. Terminate shields to terminals 16 or 33 on row B, or 40...45 on row C.



4. Connect 24V DC to terminal 34 on the 34...51 row (C), and 24V common to terminal 35 on the 34...51 row (C).



**ATTENTION:** To reduce susceptibility to noise, power frequency modules and digital modules from separate power supplies. Do not exceed a length of 10 m (33 ft) for DC power cabling.

---

5. If daisy chaining the 24V DC power to the next 1794-TB3G, 1794-TB3GK or 1794-TB3GS base unit, connect a jumper from terminal 50 (24V) on this base unit to terminal 34 and from terminal 51 (24V DC common) to terminal 35 on the next 1794-TB3G, 1794-TB3GK or 1794-TB3GS base unit.
6. Connect output power wiring to terminals 37 (+) and 39 (-) for outputs 0 and 1, and terminals 46 (+) and 48 (-) for outputs 2 and 3.



**ATTENTION:** Use extreme care when connecting wiring to an adjacent terminal base unit. Wiring for the 1794-TB3G and 1794-TB3GS terminal base units is different from other 1794 terminal base units.

---



**ATTENTION:** Do not daisy chain power or ground from the 1794-TB3G, 1794-TB3GK or 1794-TB3GS terminal base unit to any AC or DC digital module terminal base unit.

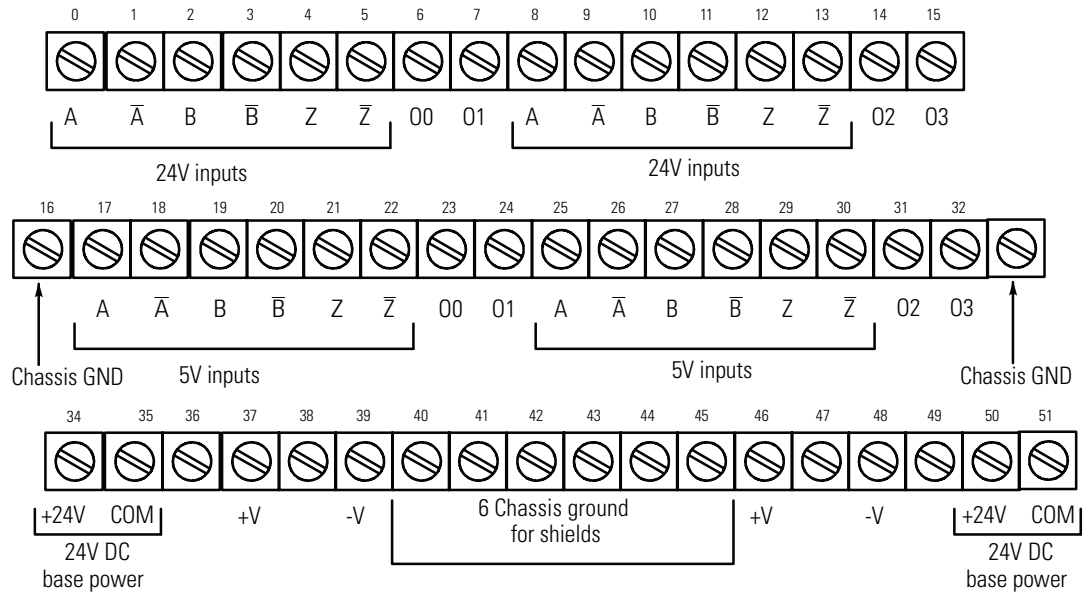
---



**ATTENTION:** 24V DC power must be applied to your module before operation. If power is not applied, the module position will appear to the adapter as an empty slot in your chassis. If the adapter does not recognize your module after installation is completed, cycle power to the adapter.

---

**Connections for Terminal Base 1794-TB3G or 1794-TB3GK shown**



- Where:
- A,  $\bar{A}$  - incremental encoder input A (+5 or +24V DC)
  - B,  $\bar{B}$  - incremental encoder input B (+5 or +24V DC)
  - Z,  $\bar{Z}$  - incremental encoder input Z (+5 or +24V DC)
  - O = sourcing outputs
  - R = returns for sourcing outputs
  - +V = +5 or +24V DC isolated power externally supplied for outputs (1 A max)
  - V = negative isolated power connection (1 A max)
  - +24V DC = 24V DC terminal base power for module
  - COM = return for +24V DC terminal base power for module
  - Chassis Gnd = chassis ground for input or output cable shields

45898

**Wiring connections for the 1794-VHSC High Speed Counter Module**

Incremental Encoder Input	Terminal Base Units 1794-TB3G, 1794-TB3GK, 1794-TB3GS	
	Channel 0	Channel 1
+24V Inputs		
Input A	0	8
Input $\bar{A}$	1	9
Input B	2	10
Input $\bar{B}$	3	11
Input Z	4	12
Input $\bar{Z}$	5	13
+5V Inputs		
	Channel 0	Channel 1
Input A	17	25
Input $\bar{A}$	18	26
Input B	19	27

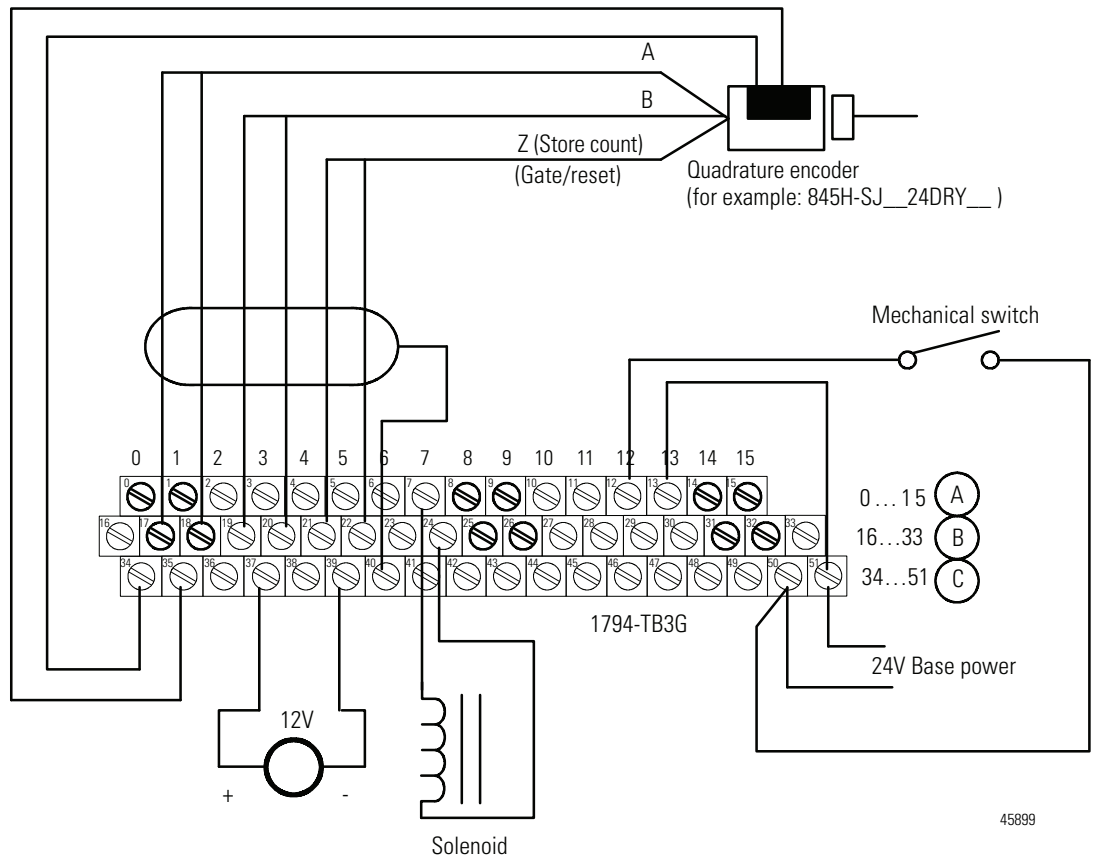
**Wiring connections for the 1794-VHSC High Speed Counter Module**

Input $\bar{B}$	20	28			
Input Z	21	29			
Input $\bar{Z}$	22	30			
Outputs					
Output	Sourcing Out	Return	Output	Sourcing Out	Return
00	6	23	01	7	24
02	14	31	03	15	32
+24V DC Base power	Terminals 34 and 50				
+24V DC COM	Terminals 35 and 51				
+5V or +24V Output power	Terminals 37 and 46				
-V Output power	Terminals 39 and 48				
Chassis GND	Terminals 16, 33, and 40...45				



**ATTENTION:** Total current draw through the terminal base unit is limited to 10 A. Separate power connections to the terminal base unit may be necessary.

**Example of Quadrature Encoder Differential Wiring to a 1794-TB3G or 1794-TB3GK Terminal Base Unit**



45899



**ATTENTION:** Keep exposed area of inner conductor as short as possible.

**Chapter Summary**

This chapter provided you with instructions on how to install the module in an existing programmable controller system and how to wire to a terminal base unit.

## Communicate With Your Module

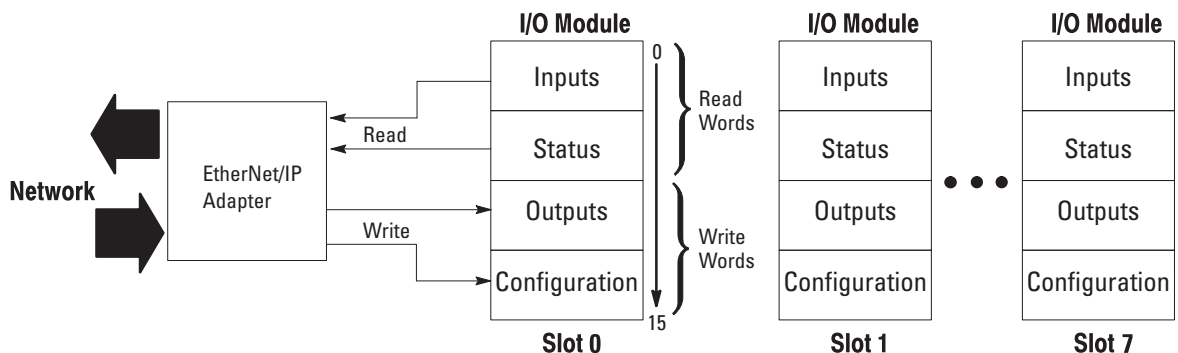
### Overview

Read this chapter to familiarize yourself with configurable features on the 1794-VHSC Very High Speed Counter module

For Information About	See Page
<a href="#">Communication Over the I/O Backplane</a>	<a href="#">29</a>
<a href="#">I/O Structure</a>	<a href="#">31</a>
<a href="#">Safe State Data</a>	<a href="#">32</a>
<a href="#">Device Actions</a>	<a href="#">32</a>
<a href="#">1794-VHSC — High Speed Counter Module Image Table Mapping</a>	<a href="#">35</a>
<a href="#">Input Status Word Bits</a>	<a href="#">32</a>
<a href="#">Bit/Word Definitions</a>	<a href="#">37</a>
<a href="#">Configuration Word Definition</a>	<a href="#">42</a>

### Communication Over the I/O Backplane

One 1794-AENT or 1794-AENTR EtherNet/IP adapter can interface up to eight terminal base units with installed FLEX I/O modules, forming a FLEX I/O system of up to eight slots. The adapter communicates to other network system components (typically one or more controllers or scanners, and/or programming terminals) over the EtherNet/IP network. The adapter communicates with its I/O modules over the backplane.



Data is exchanged scheduled when mapped, or unscheduled using EtherNet/IP instructions.

## Scheduled Data-Transfer

Scheduled data transfer:

- is continuous
- is asynchronous to the ladder-logic program scan
- occurs at the actual rate displayed in the Actual Packet Interval field on the programming software I/O mapping (monitor) screen

## Unscheduled Data-Transfer

Unscheduled operations include:

- unscheduled non-discrete I/O data transfers — through I/O transfer instructions
- peer-to-peer messaging — through Message (MSG) instructions
- messaging from programming devices

Unscheduled messaging on an EtherNet/IP network is non-deterministic. Your application and your configuration — number of nodes, application program, NUT, amount of scheduled bandwidth used, and so on — determine how much time there is for unscheduled messaging.

## Module I/O Mapping

The I/O map for the 1794-VHSC module is divided into read words and write words. Read words consist of input and status words, and write words consist of output and configuration words. The number of read words or write words can be 0 or more. The length of each I/O modules read words and write words vary in size depending on module complexity. Each I/O module will support at least 1 input word or 1 output word. Status and configuration are optional, depending on the module. The 1794-VHSC module has 9 input words, no status words, 4 output words and 56 configuration words.

## Application of New Configurations

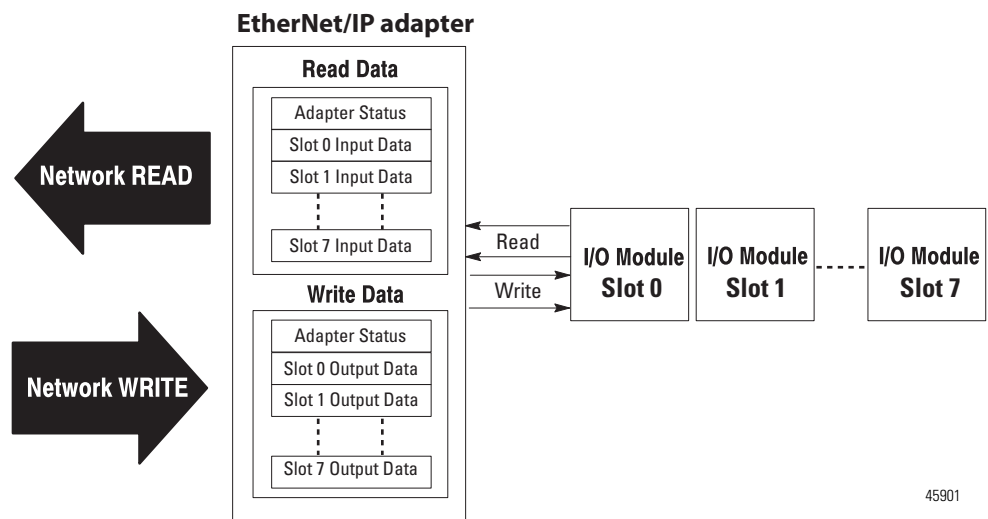
When a configuration is sent to the 1794-VHSC module, it is checked for consistency before being applied. If an error is found in the configuration, the PE bit (input word 8, bit 15) is asserted and the module locally retains its previous configuration. To isolate any problems an improperly configured module may have, the user application program (ladder program, for instance) should monitor this error.

If the configuration is considered acceptable, the counter application specific integrated circuit (ASIC) is disabled — counting is suspended and outputs are shut off — while the ASIC is loaded with the new operational parameters.

## I/O Structure

Output data is received by the adapter in the order of the installed I/O modules. The Output data for Slot 0 is received first, followed by the Output data for Slot 1, and so on up to slot 7.

The first word of input data sent by the adapter is the Adapter Status Word. This is followed by the input data from each slot, in the order of the installed I/O modules. The Input data from Slot 0 is first after the status word, followed by Input data from Slot 2, and so on up to slot 7.

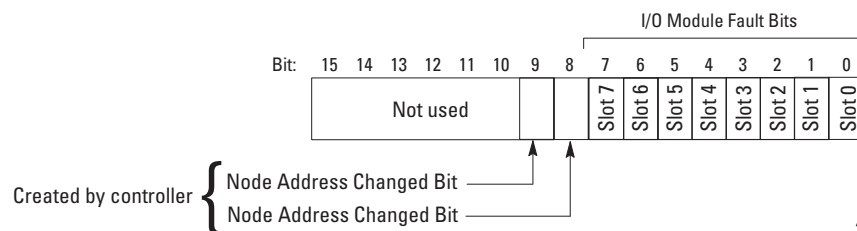


45901

## Adapter Input Status Word

The input status word consists of:

- I/O module fault bits — 1 status bit for each slot
- node address changed — 1 bit
- I/O status — 1 bit



45902

The adapter input status word bit descriptions are show in Table [Input Status Word Bits on page 32](#).

**Input Status Word Bits**

Bit Description	Bit	Explanation
I/O Module Fault	0	This bit is set (1) when an error is detected in slot position 0.
	1	This bit is set (1) when an error is detected in slot position 1.
	2	This bit is set (1) when an error is detected in slot position 2.
	3	This bit is set (1) when an error is detected in slot position 3.
	4	This bit is set (1) when an error is detected in slot position 4.
	5	This bit is set (1) when an error is detected in slot position 5.
	6	This bit is set (1) when an error is detected in slot position 6.
	7	This bit is set (1) when an error is detected in slot position 7.
Node address changed	8	This bit is set (1) when the node address switch setting is changed since power up.
I/O state	9	Bit = 0 – idle Bit = 1 – run
	10...15	Not used – set to 0.

Possible causes for an **I/O module fault** are:

- transmission errors on the FLEX I/O backplane
- a failed module
- a module removed from its terminal base
- an incorrect module inserted in a slot position
- an empty slot
- a non-discrete module in the slot

**Safe State Data**

The EtherNet/IP adapter does not provide storage for alternate module output data during communication faults or processor idle state. This safe state data is stored in the 1794-VHSC module and may be defined using configuration software. Safe state data assures that a known output will be applied to the output devices to maintain a previously designated safe operating condition during the previously mentioned failure modes. This data is sent in the configuration block. For more information, Table [1794-VHSC — High Speed Counter Module Image Table Mapping on page 35](#).

**Device Actions**

Device actions include:

- communication fault behavior
- idle state behavior
- input data behavior upon module removal



## Communication Fault Behavior

You can configure the 1794-VHSC response to a communication fault. Upon detection of a communication fault, the module can:

- leave the module output data in its last state (hold last state)
- reset the module output data to zero (reset)
- apply safe state data to the module output

## Idle State Behavior

The 1794-VHSC module responds to idle state according to the Communication Fault Behavior described above. The module can:

- leave the module output data in its last state (hold last state)
- reset the module output data to zero (reset)
- apply safe state data to the module output

## Input Data Behavior upon Module Removal

I/O module input data sent by the adapter upon module removal is configurable. The adapter can:

- reset the module output data to zero (reset)
- leave the module output data in the last state before module removal (hold last state)

## Frequency/Resolution Enhancement

This mode is only for use in modules with firmware revision D or later.

Frequency/Resolution Enhancement is a precise configuration which handles the decimal position adjustment to frequency count. Using this mode allows the module to read the frequency up to two positions to the right or left of the decimal place. For example, a rounded frequency of 13 Hz can be displayed as 1257 or 12.57. The mode is only valid when the module is configured for Period Rate or Continuous Rate.

Frequency Resolution/Enhancement reports the frequency back as a floating point value in a single word and allows configuration of decimal places of resolution.

The upper byte of the counter control word (output word 0) is reserved for special mode, Enhancing Frequency/Resolution. In this mode, you can change significant digits of frequency display based on output word 2 for channel 0 and output word 3 for channel 1. Decimal point placement is absolute positioning. -2

moves decimal point left 2 places dividing the frequency value by 100; +1 moves the decimal point 1 place, multiplying by 10, and so on. This allows frequency values to fit in a single word.

### *Applying the Frequency/Resolution Enhancement*

To use this mode, proceed as follows.



**ATTENTION:** Use this enhancement mode with caution since no checks are performed to verify data. Unintended operation can occur.

---

1. Power up the FLEX chassis, or put the controller into RUN mode, or both. Let the 1794-VHSC module initialize as normal. Wait for the OK indicator on the module to go solid green.
2. You must place ladder logic in your PLC that performs the following:
  - a. Set a value between -4 and +2 into output word 2 and/or 3.
  - b. Then set (1) the M11 bit in the upper byte of control word 0. When the upper byte of the output word is not zero, the status indicator flashes red, and the TF bit (bit 12, input word 8) is asserted.
  - c. Next, reset (0) the M11 bit in the upper byte of output control word 0. Clearing the upper byte of output word 0 restores the module to an operational state, clears the TF bit in input word 8 and returns the indicator to green. The module is now in enhanced mode.
3. To turn this feature off:
  - a. Set output word 2 or 3 to zero (no value)
  - b. Set (1) the M11 bit
  - c. Then reset (0) the M11 bit

**1794-VHSC — High Speed Counter Module Image Table Mapping**

I/O Image Input Size 1 ... 9 Words	0	Channel 0 Current Count (least significant word)																
	1	Channel 0 Current Count (most significant word)																
	2	Channel 1 Current Count (least significant word)																
	3	Channel 1 Current Count (most significant word)																
	4	Channel 0 Stored/Accumulated Count (least significant word)																
	5	Channel 0 Stored/Accumulated Count (most significant word)																
	6	Channel 1 Stored/Accumulated Count (least significant word)																
	7	Channel 1 Stored/Accumulated Count (most significant word)																
	8	PE	FP	NR	TF	OS	OS	OS	OS	C1	C0	ZF	ZS	C1	C0	ZF	ZS	
Output Size 0 ... 4 Words	0	Reserved				M11	Reserved				0	VR	CP	CR	0	VR	CP	CR
	1	0	LC	OE	FO	0	LC	OE	FO	0	LC	OE	FO	0	LC	OE	FO	
	2	Channel 0 PWM Output Value (0...95.00%)																
	3	Channel 1 PWM Output Value (0...95.00%)																
Configuration Size 56 Words	0	Counter Configuration																
	1	Filter Selection																
	2	Time Base Value/PWM Period																
	3	Channel 0 Gate Interval																
	4	Channel 1 Gate Interval																
	5	Reserved																
	6	Channel 0 Rollover Value (least significant word)																
	7	Channel 0 Rollover Value (most significant word)																
	8	Channel 1 Rollover Value (least significant word)																
	9	Channel 1 Rollover Value (most significant word)																
	10	Channel 0 Preset Value (least significant word)																
	11	Channel 0 Preset Value (most significant word)																
	12	Channel 1 Preset Value (least significant word)																
	13	Channel 1 Preset Value (most significant word)																
	14	Channel 0 Scaler																
	15	Channel 1 Scaler																
	16	0	0	0	0	0	0	0	0	0	S4	S3	S2	S1	F4	F3	F2	F1

45903

Configuration Size  
(continued)

56 Words



17	0	0	0	0	0	0	0	0	0	S4	S3	S2	S1	F4	F3	F2	F1
18	0	0	0	0	0	0	0	0	0	S4	S3	S2	S1	F4	F3	F2	F1
19	0	0	0	0	0	0	0	0	0	S4	S3	S2	S1	F4	F3	F2	F1
20	First Counter 1st On Value (least significant word)																
21	First Counter 1st On Value (most significant word)																
22	First Counter 1st Off Value (least significant word)																
23	First Counter 1st Off Value (most significant word)																
24	First Counter 2nd On Value (least significant word)																
25	First Counter 2nd On Value (most significant word)																
26	First Counter 2nd Off Value (least significant word)																
27	First Counter 2nd Off Value (most significant word)																
28	First Counter 3rd On Value (least significant word)																
29	First Counter 3rd On Value (most significant word)																
30	First Counter 3rd Off Value (least significant word)																
31	First Counter 3rd Off Value (most significant word)																
32	First Counter 4th On Value (least significant word)																
33	First Counter 4th On Value (most significant word)																
34	First Counter 4th Off Value (least significant word)																
35	First Counter 4th Off Value (most significant word)																
36	Second Counter 1st On Value (least significant word)																
37	Second Counter 1st On Value (most significant word)																
38	Second Counter 1st Off Value (least significant word)																
39	Second Counter 1st Off Value (most significant word)																
40	Second Counter 2nd On Value (least significant word)																
41	Second Counter 2nd On Value (most significant word)																
42	Second Counter 2nd Off Value (least significant word)																
43	Second Counter 2nd Off Value (most significant word)																
44	Second Counter 3rd On Value (least significant word)																
45	Second Counter 3rd On Value (most significant word)																
46	Second Counter 3rd Off Value (least significant word)																
47	Second Counter 3rd Off Value (most significant word)																
48	Second Counter 4th On Value (least significant word)																
49	Second Counter 4th On Value (most significant word)																

45904

**Bit/Word Definitions**

<b>Input Word</b>	<b>Bit</b>	<b>Definition</b>
Word 0	00...15 (00...17)	<b>Channel 0 current count</b> – The current count consists of 2 words (32 bits) representing the current count of the 24-bit counter (in encoder, X2 encoder, X4 encoder, PWM) or the frequency (in period/rate, continuous/rate, rate measurement.). The range of values is (0 < value < 16,777,215).
Word 1	00...15 (00...17)	
Word 2	00...15 (00...17)	<b>Channel 1 current count</b> – The current count consists of 2 words (32 bits) representing the current count of the 24-bit counter (in encoder, X2 encoder, X4 encoder, PWM) or the frequency (in period/rate, continuous/rate, rate measurement.). The range of values is (0 < value < 16,777,215).
Word 3	00...15 (00...17)	
Word 4	00...15 (00...17)	<b>Channel 0 stored/accumulated count</b> – These are 32-bit long word values representing the stored count of the counter at the time of some specified event.  These words are not updated in counter modes (counter, X1 encoder, X2 encoder, X4 encoder) without store modes selected. With store modes selected, it is the counter value at the time of the specified Z input event.  In PWM configuration, it is the counter value at the end of the period specified by the product of the time base times gate interval.  In period/rate and continuous/rate, it is the total accumulation of unscaled Z pulses (if scaling is set to 128, the accumulator will increase by 128 counts). The maximum frequency that accumulation can follow is (200Hz X Scaler value).  In rate measurement, it is the total number of pulses seen at the A input accumulated over each period as specified by the product of time base times gate interval. The range of values occupy the entire 32-bit size from 0 < value < 4,294,967,295. These words are not cleared by changing the configuration.
Word 5	00...15 (00...17)	
Word 6	00...15 (00...17)	<b>Channel 1 stored/accumulated count</b> – These are 32-bit long word values representing the stored count of the counter at the time of some specified event.  These words are not updated in counter modes (counter, X1 encoder, X2 encoder, X4 encoder) without store modes selected. With store modes selected, it is the counter value at the time of the specified Z input event.  In PWM configuration, it is the counter value at the end of the period specified by the product of the time base times gate interval.  In period/rate and continuous/rate, it is the total accumulation of unscaled Z pulses (if scaling is set to 128, the accumulator will increase by 128 counts). The maximum frequency that accumulation can follow is (200Hz X Scaler value).  In rate measurement, it is the total number of pulses seen at the A input accumulated over each period as specified by the product of time base times gate interval. The range of values occupy the entire 32-bit size from 0 < value < 4,294,967,295. These words are not cleared by changing the configuration.
Word 7	00...15 (00...17)	

**Bit/Word Definitions**

<b>Input Word</b>	<b>Bit</b>	<b>Definition</b>
Word 8		<b>Module Channel Status Word</b>
	00	<b>Zero input status bit (ZS) for Channel 0</b> – This bit represents the present status of the Z input. 0 = Off 1 = Input on This bit is unaffected by Z invert, ZI, in the counter configuration word.
	01	<b>Zero frequency detected bit (ZF) for Channel 0</b> – Only used during frequency configurations (period/rate, continuous/rate, and rate measurement). In period/rate and continuous/rate, counts are acquired during on state of the Z input. At very low frequencies, the counter saturates, indicating a zero frequency detect. The time it takes to determine a zero frequency in these 2 configurations can be as long as 6.7 s (16,777,215 counts X 1/5 MHz X 2 half cycles of Z). In rate measurement, pulses on Z are counted over a sample interval specified by the product of time base X gate interval. The time to detect a zero frequency is determined by the sample interval example: time base = 0.100s, gate interval = 3 is 300 ms to determine ZF.
	02, 03	<b>Stored/data count bit (C0, C1) for Channel 0</b> – This count cycles through 00, 01, 10, 11, 00... Each time the stored/accumulated count words are updated, C(0,1) is incremented. The PLC sample rate, including network delay and program scan, must be as fast or faster than the frequency of the event which updates.
	04	<b>Zero input status bit (ZS) for Channel 1</b> – This bit represents the present status of the Z input. 0 = Off 1 = Input on
	05	<b>Zero frequency detected bit (ZF) for Channel 1</b> – Only used during frequency configurations (period/rate, continuous/rate, and rate measurement). In period/rate and continuous/rate, counts are acquired during on state of the Z input. At very low frequencies, the counter saturates, indicating a zero frequency detect. The time it takes to determine a zero frequency in these 2 configurations can be as long as 6.7 s (16,777,215 counts X 1/5 MHz X 2 half cycles of Z). In rate measurement, pulses on Z are counted over a sample interval specified by the product of time base X gate interval. The time to detect a zero frequency is determined by the sample interval example: time base = 0.100 s, gate interval = 3 is 300 ms to determine ZF.
	06, 07	<b>Stored/data count bit (C0, C1) for Channel 1</b> – This count cycles through 00, 01, 10, 11, 00... Each time the stored/accumulated count words are updated, C(0,1) is incremented. The PLC sample rate, including network delay and program scan, must be as fast or faster than the frequency of the event which updates.
08...11 (10...13)	<b>Output status indicators (OS)</b> – Bit 08 corresponds to output 0, bit 09 to output 1, bit 10 to output 2, and bit 11 to output 3. 0 = output Off 1 = output On	

### Bit/Word Definitions

Input Word	Bit	Definition
Word 8	12 (14)	<p><b>Test/fail bit (TF)</b> – If the flexbus power or terminal base power is applied and the module fails during hardware tests, a fatal error occurs. The TF bit is asserted and the red module indicator turns on. An error code will be set in the module/channel status word which can be read using an instruction. The TF bit is also asserted if the upper byte of the counter control word is not zero.</p> <p>The upper byte of the counter control word (output word 0) is reserved for special mode, Enhancing Frequency/Resolution. To use this mode, set bit 11, and set a value in output word 2 and/or word 3. When the upper byte of word 0 is not zero, the red module status indicator will flash and the TF bit is asserted to indicate the module has entered a test-mode state. Clearing the upper byte of output word 0 restores the module to an operation state, clears the TF bit and returns the indicator to green.</p> <p>Change significant digits of frequency display based on word 14 for channel 0 and word 15 for channel 1 (-2 moves decimal point left 2 places dividing the frequency value by 100; +1 moves the decimal point 1 place, multiplying by 10, and so on).</p> <p>This allows frequency values to fit in a single word.</p> <p><b>Note:</b> To use Frequency/Resolution Enhancement feature provides appropriate configuration for each frequency mode (Mode 5,6,7). Firmware revision D changed decimal point placement to absolute positioning. Revision D firmware also checks for placement to be in the range of -4. . .+2. A value outside the range moves the decimal point to the zero position. Moving the decimal point to the left allows high frequencies, (commonly present in rate measurement) to fit within a single word. Moving the decimal point to the right allows low frequencies (commonly present in period and continuous rate modes) to have resolution displayed to 0.1 Hz and 0.01 Hz. Do not use scalars of Z/128, Z/64, Z/32 and Z/16 when using this test mode.</p>
	13 (15)	<p><b>Not ready status bit (NR)</b> – Whenever 24V DC power is applied to the module, the hardware must be initialized. The NR bit will be asserted and the red module indicator will flash. If the red indicator continues flashing, and the green indicator momentarily turns on, the 24V DC power is below the module minimum.</p>
	14 (16)	<p><b>Field power fault bit (FP)</b> – If the 24V DC module power drops, the FP bit is asserted, the green module indicator flashes, the module outputs turn off, and the module enters an idle state reporting status as it waits for power to be restored.</p> <p><b>Note:</b> this bit does not indicate status of either output customer power supply.</p>
	15 (17)	<p><b>Programming error bit (PE)</b> – This bit is asserted if incomplete, incorrect or conflicting set of configuration parameters are sent to the module. The green module status indicator will flash and an error code will be placed in bits 11:0 of the module/channel status word. The module will not enter a normal operating state. Bit definitions are shown in Table <a href="#">Input Status Word Bits on page 32</a>.</p>

### Bit/Word Definitions

Output Word	Bit	Definition
Word 0	00...15 (00...17)	<b>Counter Control Word</b>
	00	<b>Channel 0 Counter reset bit (CR)</b> – A 0 to 1 transition of this bit clears the counter. Outputs are adjusted according to the window compare values.
	01	<b>Channel 0 Counter preset bit (CP)</b> – A 0 to 1 transition of this bit sets the counter to the value specified by the preset words. Outputs are adjusted according to the window compare values.
	02	<b>Channel 0 Value reset bit (VR)</b> – A 0 to 1 transition of this bit clears the stored/accumulated count words.
	03	This bit is always 0.
	04	<b>Channel 1 Counter reset bit (CR)</b> – A 0 to 1 transition of this bit clears the counter. Outputs are adjusted according to the window compare values.
	05	<b>Channel 1 Counter preset bit (CP)</b> – A 0 to 1 transition of this bit sets the counter to the value specified by the preset words. Outputs are adjusted according to the window compare values.
	06	<b>Channel 1 Value reset bit (VR)</b> – A 0 to 1 transition of this bit clears the stored/accumulated count words.
	07	This bit is always 0.
	08...10 (10...12)	Reserved for factory use.
	11 (13)	<b>Frequency/Resolution enhancement bit (M11)</b> Set this bit to 1 for frequency precision configuration (Refer to <a href="#">Word 8 Bit/Word Definitions</a> on page 39 for details on frequency precision configuration). <b>Note:</b> You must place a value between -4 and +2 in output word 2 and/or 3 to shift the decimal position accordingly.
	12...15 (14...17)	Reserved for factory use.
Word 1	00...15 (00...17)	<b>Output Control Word</b>
	00	<b>Output 0 Force output bit (FO)</b> – When set to 1, output is turned on if OE is 1. When FO = 0, output can be controlled by a compare match or as directed by the PWM settings.
	01	<b>Output 0 Output enable bit (OE)</b> – When set to 1, output can be turned on from a force on, compare match or as directed by the PWM settings. When OE = 0, the associated output is turned off.



**Bit/Word Definitions**

02	<p><b>Output 0 Local control bit (LC)</b> – When set to 1, output is controlled the counter if the FlexBus power is lost (for instance, the module detects a FlexBus reset signal).</p> <p><b>Note:</b> When FlexBus power is lost, communication to the PC is lost. When LC = 0, the module clears its OE bit at a loss of FlexBus power. Set this bit as appropriate in the safe state word, since a communication fault occurs after adapter power is lost.</p>
03	Not used – set to 0.
04	<p><b>Output 1 Force output bit (FO)</b> – When set to 1, output is turned on if OE is 1. When FO = 0, output can be controlled by a compare match or as directed by the PWM settings.</p>
05	<p><b>Output 1 Output enable bit (OE)</b> – When set to 1, output can be turned on from a force on, compare match or as directed by the PWM settings. When OE = 0, the associated output is turned off.</p>
06	<p><b>Output 1 Local control bit (LC)</b> – When set to 1, output is controlled the counter if the FlexBus power is lost (for instance, the module detects a flexbus reset signal).</p> <p><b>Note:</b> When flexbus power is lost, communication to the PC is lost. When LC = 0, the module clears its OE bit at a loss of FlexBus power. Set this bit as appropriate in the safe state word, since a communication fault occurs after adapter power is lost.</p>
07	Not used – set to 0.
08 (10)	<p><b>Output 2 Force output bit (FO)</b> – When set to 1, output is turned on if OE is 1. When FO = 0, output can be controlled by a compare match or as directed by the PWM settings.</p>
09 (11)	<p><b>Output 2 Output enable bit (OE)</b> – When set to 1, output can be turned on from a force on, compare match or as directed by the PWM settings. When OE = 0, the associated output is turned off.</p>
10 (12)	<p><b>Output 2 Local control bit (LC)</b> – When set to 1, output is controlled the counter if the FlexBus power is lost (for instance, the module detects a FlexBus reset signal).</p> <p><b>Note:</b> When FlexBus power is lost, communication to the PC is lost. When LC = 0, the module clears its OE bit at a loss of flexbus power. Set this bit as appropriate in the safe state word, since a communication fault occurs after adapter power is lost.</p>
11 (13)	Not used – set to 0.
12 (14)	<p><b>Output 3 Force output bit (FO)</b> – When set to 1, output is turned on if OE is 1. When FO = 0, output can be controlled by a compare match or as directed by the PWM settings.</p>
13 (15)	<p><b>Output 3 Output enable bit (OE)</b> – When set to 1, output can be turned on from a force on, compare match or as directed by the PWM settings. When OE = 0, the associated output is turned off.</p>
14 (16)	<p><b>Output 3 Local control bit (LC)</b> – When set to 1, output is controlled the counter if the FlexBus power is lost (for instance, the module detects a FlexBus reset signal).</p> <p><b>Note:</b> When FlexBus power is lost, communication to the PC is lost. When LC = 0, the module clears its OE bit at a loss of FlexBus power. Set this bit as appropriate in the safe state word, since a communication fault occurs after adapter power is lost.</p>
15 (17)	Not used – set to 0.

### Bit/Word Definitions

Word 2	00...15 (00...17)	<p><b>Channel 0 PWM Output value</b> – When the module is configured for PWM, the time base is enabled, the counter for the respective channel, its gate interval, rollover and 1st on and 1st off value are used. Ties can be used to direct the PWM signal to any or all outputs.</p> <p>The range of the PWM values is <math>0 \leq \text{value} \leq 9500</math> decimal (for instance, <math>0.00\% \leq \text{value} \leq 95.00\%</math>). The actual duty cycle at the output depends on the turn on and turn off times of the MOSFET, energy storage capability of the cable/load and the resistance from output to return.</p>
Word 3	00...15 (00...17)	<p><b>Channel 1 PWM Output value</b> – When the module is configured for PWM, the time base is enabled, the counter for the respective channel, its gate interval, rollover and 1st on and 1st off value are used. Ties can be used to direct the PWM signal to any or all outputs.</p> <p>The range of the PWM values is <math>0 \leq \text{value} \leq 9500</math> decimal (for instance, <math>0.00\% \leq \text{value} \leq 95.00\%</math>). The actual duty cycle at the output depends on the turn on and turn off times of the MOSFET, energy storage capability of the cable/load and the resistance from output to return.</p>

### Configuration Word Definition

Configuration Word	Bit	Definition				
Configuration Word 0	<b>Counter Configuration</b> – The upper byte of this word configures counter 1, the lower byte configures counter 0.					
	Bits 00...03	03	02	01	00	Counter 0
	Bits 08...11 (10...13)	11 (13)	10 (12)	09 (11)	08 (10)	Counter 1
		0	0	0	0	Counter
		0	0	0	1	Encoder
		0	0	1	0	Encoder X2
		0	0	1	1	PWM
		0	1	0	0	Encoder X4
		0	1	0	1	Period/Rate
		0	1	1	0	Continuous/Rate
		0	1	1	1	Rate Measurement
	<b>Mode Selection</b>					
	Bits 04...07	06	05	04	Counter 0	
	Bits 12...14 (14...16)	14 (16)	13 (15)	12 (14)	Counter 1	
		0	0	0	Store count disabled	
		0	0	1	Mode 1 – store/continue	
		0	1	0	Mode 2 – store/wait/resume	
0		1	1	Mode 3 – store;reset/wait/start		
1		0	0	Mode 4 – store;reset/start		
Bit 15 (17)	Invert the Z signal – 0 = Z not inverted; 1 = Z inverted					

## Configuration Word Definition

Configuration Word	Bit	Definition
Word 1		<b>Filter Selection – Only 1 filter selection can be chosen at a time. Frequency = 50% duty cycle.</b>
	Bits 00...03	03    02    01    00    Counter 0
	Bits 08...11 (10...13)	11    10    09    08 (13) (12) (11) (10)    Counter 1
		0    0    0    0    No filter
		0    0    0    1    50 kHz (10 $\mu$ s + 0 $\mu$ s/-1.6 $\mu$ s)
		0    0    1    0    5 kHz (100 $\mu$ s + 0 $\mu$ s/-13.2 $\mu$ s)
		0    1    0    0    500 Hz (1.0 ms + 0 ms/-1.25 $\mu$ s)
		1    0    0    0    50 Hz (10.0 ms + 0 ms/-1.25 ms)
	Bit 12 (14)	Input A filter bit (AF) – 0 = not filtered; 1 = apply filter to input
	Bit 13 (15)	Input B filter bit (BF) – 0 = not filtered; 1 = apply filter to input
Bit 14 (16)	Input Z filter bit (ZF) – 0 = not filtered; 1 = apply filter to input	
Bit 15 (17)	Set to 0.	
Word 2	Bits 00...15 (00...17)	<b>Time base</b> – Sets the fundamental time base for both counters. Resolution in ms, with a minimum of 10 ms intervals (10 ms = 10; 1 s = 1000). <b>Time base must be entered when PWM and rate measurement are configured. The maximum programmed value is 3000.</b>
Word 3	Bits 00...15 (00...17)	<b>Channel 0 Gate interval</b> – Sets the individual counter gate interval using the time base setting as its time unit. Actual gate interval is time base X gate interval (for instance, time base of 10 X gate interval of 5 = 50 ms). Maximum value is 3 s. <b>Gate interval must be entered when PWM and rate measurement are configured.</b>
Word 4	Bits 00...15 (00...17)	<b>Channel 1 Gate interval</b> – Sets the individual counter gate interval using the time base setting as its time unit. Actual gate interval is time base X gate interval (for instance, time base of 10 X gate interval of 5 = 50 ms). Maximum value is 3 s. <b>Gate interval must be entered when PWM and rate measurement are configured.</b>
Word 5	Bits 00...15 (00...17)	Do not use – reserved.
Word 6 and 7	Bits 00...15 (00...17)	<b>Channel 0 Rollover</b> – Sets the number of counts the counter accumulates before rolling over. For example, a setting of 1000 produces a count sequence of 998, 999, 0, 1, 2... while incrementing; and 2, 1, 0, 999, 998... while decrementing. Rollover is a 32-bit number with a usable range of 16,777,216. In PWM, this value is zero; in count, X1 encoder, X2 encoder and X4 encoder configurations, it must be some specified nonzero number. The value doesn't matter in period/rate, continuous/rate and rate measurement configurations.
Word 8 and 9	Bits 00...15 (00...17)	<b>Channel 1 Rollover</b> – Sets the number of counts the counter accumulates before rolling over. For example, a setting of 1000 produces a count sequence of 998, 999, 0, 1, 2... while incrementing; and 2, 1, 0, 999, 998... while decrementing. Rollover is a 32-bit number with a usable range of 16,777,216. In PWM, this value is zero; in count, X1 encoder, X2 encoder and X4 encoder configurations, it must be some specified nonzero number. The value doesn't matter in period/rate, continuous/rate and rate measurement configurations.
Word 10 and 11	Bits 00...15 (00...17)	<b>Channel 0 Preset</b> – This word sets the preset value the counter is loaded with when CP is asserted. This number has a range of $0 \leq \text{value} \leq 16,777,216$ .
Word 12 and 13	Bits 00...15 (00...17)	<b>Channel 1 Preset</b> – This word sets the preset value the counter is loaded with when CP is asserted. This number has a range of $0 \leq \text{value} \leq 16,777,216$ .

### Configuration Word Definition

Configuration Word	Bit	Definition
Word 14	Bits 00...15 (00...17)	<p><b>Channel 0 Scaler</b> – This word scales the Z signal <b>in period/rate and continuous/rate modes</b>. If the filter is applied, the filtered Z signal is scaled. <b>Set only 1 bit of the Scaler.</b></p> <p>Selecting a Scaler causes accumulated counts to be adjusted accordingly (for instance, selecting a Scaler of 128 increases the accumulated count by 128 after 128 Z pulses have been received).</p> <p><b>We recommend using the filter to reduce erroneous frequency readings any time you use the Scaler on the Z input.</b></p>
	00	Z Fmins (frequency at which the 24-bit counter overflows) = 0.149 Hz
	01	Z/2 Fmins (frequency at which the 24-bit counter overflows) = 0.298 Hz
	02	Z/4 Fmins (frequency at which the 24-bit counter overflows) = 0.596 Hz
	03	Z/8 Fmins (frequency at which the 24-bit counter overflows) = 1.192 Hz
	04	Z/16 Fmins (frequency at which the 24-bit counter overflows) = 2.384 Hz
	05	Z/32 Fmins (frequency at which the 24-bit counter overflows) = 4.768 Hz
	06	Z/64 Fmins (frequency at which the 24-bit counter overflows) = 9.537 Hz
07	Z/128 Fmins (frequency at which the 24-bit counter overflows) = 19.073 Hz	
Word 15	Bits 00...15 (00...17)	<p><b>Channel 1 Scaler</b> – This word scales the Z signal <b>in period/rate and continuous/rate modes</b>. If the filter is applied, the filtered Z signal is scaled. <b>Set only 1 bit of the Scaler.</b></p> <p>Selecting a Scaler causes accumulated counts to be adjusted accordingly (for instance, selecting a Scaler of 128 increases the accumulated count by 128 after 128 Z pulses have been received).</p> <p><b>We recommend using the filter to reduce erroneous frequency readings any time you use the Scaler on the Z input.</b></p>
	00	Z Fmins (frequency at which the 24-bit counter overflows) = 0.149 Hz
	01	Z/2 Fmins (frequency at which the 24-bit counter overflows) = 0.298 Hz
	02	Z/4 Fmins (frequency at which the 24-bit counter overflows) = 0.596 Hz
	03	Z/8 Fmins (frequency at which the 24-bit counter overflows) = 1.192 Hz
	04	Z/16 Fmins (frequency at which the 24-bit counter overflows) = 2.384 Hz
	05	Z/32 Fmins (frequency at which the 24-bit counter overflows) = 4.768 Hz
	06	Z/64 Fmins (frequency at which the 24-bit counter overflows) = 9.537 Hz
07	Z/128 Fmins (frequency at which the 24-bit counter overflows) = 19.073 Hz	

## Configuration Word Definition

Configuration Word	Bit	Definition
Words 16...19	Bits 00 01 02 03 04 05 06 07 Bits 08...15 (10...17)	<p><b>Output Ties</b> – These bits connect the specified output to the appropriate compare window. There are 8 windows, 4 per counter. Each output can be connected to any number of windows, from 1 to 8.</p> <p>F1 = Tie output to first counter 1st window            F2 = Tie output to first counter 2nd window            F3 = Tie output to first counter 3rd window            F4 = Tie output to first counter 4th window            S1 = Tie output to second counter 1st window            S2 = Tie output to second counter 2nd window            S3 = Tie output to second counter 3rd window            S4 = Tie output to second counter 4th window            Set to 0.</p>
Words 20...51	Bits 00...15 (00...17)	<p><b>Counter On and Off</b> – These words program each of the 4 counter.s (first and second counter) on and off values. The first compare window for each counter is used in PWM, and when programmed for PWM, the associated compare window should remain at 0. The range of each entry is <math>0 \leq \text{value} \leq 16,777,215</math>. When a tie is connected to a window comparator, that window must be specified. These windows are always interpreted as counts, regardless of the configuration setting, and can be computed as follows:</p> <p>counts = (Scaler X 2.5E6)/desired frequency (for period/rate and continuous/rate)            counts = time base X desired frequency (for rate measurement)</p>
Words 52...55	Bits 00...15 (00...17)	<p><b>Safe State Values</b> – When the PLC transitions to PROG mode or a communication fault occurs, the module copies the safe state words into its real time working buffer. The definitions are identical to the those in the counter control word, except entering a PWM safe state value outside the range 0...9500 results in a Hold Last State.</p> <p>Word 52 is Counter Control Safe State;            word 53 is Output Control Safe State;            word 54 is Channel 0 PWM Safe State            word 55 is Channel 1 PWM Safe State.</p>

## Chapter Summary

In this chapter you learned how to communicate with your module. Read the next chapter to learn how to interpret the module LED status indicators.



# Interpret Status Indicators for your FLEX I/O Module

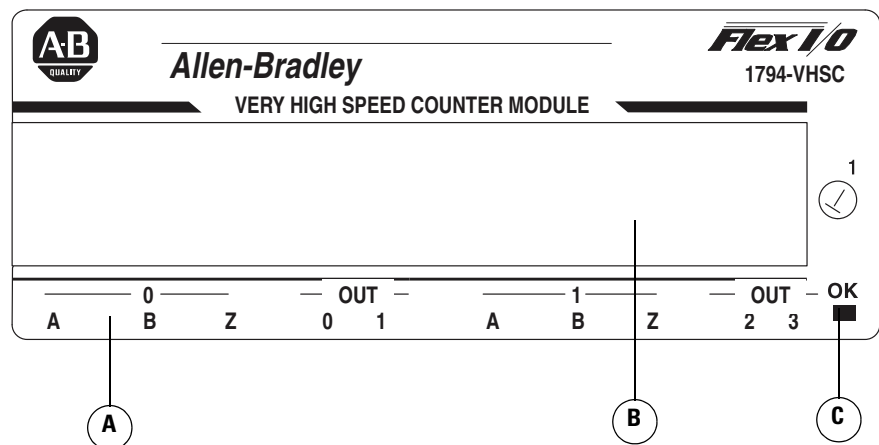
## Overview

Use this chapter to troubleshoot the very high speed counter module by interpreting the indicators.

## Status Indicators

The module contains indicators for each of the following:

### 1794-VHSC Module



A = Status Indicators –

- A — Status of input A
- B — Status of input B
- Z — Status of gate input Z

The indicators are multiplexed in 2 groups (A0, B0, Z0, O0/O1; and A1, B1, Z1, O2/O3) at a frequency of 488Hz. If inputs or outputs change at or near that frequency, the associated indicator will vary in brightness.

B = Insertable label for writing individual I/O assignments.

C = Power/status indicator - indicates power applied to module and status of module.

Use the following table to determine the indicator conditions and status.

### Status Indicator Identification

Indicator	State	Status
A (status of input A)	Yellow	Input A active.
	Off	Input A not active.
B (status of input B)	Yellow	Input B active.
	Off	Input B not active.
Z (status of input Z)	Yellow	Input Z active.
	Off	Input Z not active.
Out 0, 1, 2, 3	Yellow	Output is on.
	Off	Individual output is off.

When an active indicator (yellow) is lighted, a valid signal (active high or active low) is present at the input terminals.

The module power/status indicator (OK) shows power applied to the module, and the status of the module.

### Power/Status Indicator Interpretation

Indicator	State	Status
OK	Solid red	<ul style="list-style-type: none"> <li>Hardware diagnostic error, TF set to 1 and module/channel status contains error code.</li> <li>Hardware runtime failure (that is, watchdog timeout), module communication ceases.</li> </ul>
	Flashing red	<ul style="list-style-type: none"> <li>Module is configuring hardware, NR is set to 1.</li> <li>Module is in test mode (bits 8...15 of counter control word are nonzero), TF set to 1.</li> </ul>
	Flashing red (with occasional flashing green)	Module 24V power is below minimum rating.
	Solid green	Module is active and acting normally.
	Flashing green	<ul style="list-style-type: none"> <li>Module is not configured.</li> <li>Programming error, PE is set to 1 and error code is supplied in bits 0...11 of module/channel status word.</li> <li>Field power fault, FP set to 1.</li> <li>Adapter powered down, and module local power still active.</li> <li>ControlNet cable disconnected.</li> <li>PLC in PROG mode.</li> </ul>



## Diagnostic Codes Returned by the Module

If an incomplete, incorrect or conflicting set of configuration parameters are sent to the module, the PE bit is asserted, the green module status indicator flashes, and an error code is displayed in bits 0...11 of the module/channel status word. These codes are identified below.

### Diagnostics Reported by Input Data Word 8

Read Word	Bit	Indication
Word 8	00	A reserved configuration or mode was programmed.
	01	ZF/BF/AF were selected and no filter was programmed, or multiple filters were selected.
	02	A timebase was entered that was not a multiple of 10, or the timebase is out of range (>3000, that is 3 s).
	03	A configuration requiring a timebase was selected and no gate interval was set, or the gate interval is out of range (>3 s) or the product of timebase and gate interval is greater than 3 s.
Word	04	A rollover of zero was programmed through PWM was not selected; a rollover was programmed and PWM was selected; or the rollover is out of range ( $1 \leq \text{rollover} \leq 16,777,216$ ).
	05	The preset ( $1 \leq \text{preset} \leq 16,777,216$ ) is out of range.
	06	A configuration was selected that requires a scalar, and no scalar was programmed or multiple scalars were selected.
	07	A tie has been connected to an unprogrammed window.
	08	Counter 0 window ON and OFF values are equal and not zero or counter 0 window ON and OFF value greater than 16,777,215.
	09	Counter 1 window ON and OFF values are equal and not zero or counter 1 window ON and OFF value greater than 16,777,215.
	10	Reserved
	11	

During hardware self-tests, when either FlexBus power or terminal base power is first applied and a fatal error occurs, the TF bit is asserted and the red module status indicator turns on. An error code is placed in the lower byte of the module/channel status word to indicate the failed resource.

### Error Code Definitions

Read Word	Bit	02	01	00	Dec.	Definition
Word 8	00...07	0	0	1	1	RAM test failed.
		0	1	0	2	ROM checksum test failed.
		0	1	1	3	EEPROM test failed.
		1	0	0	4	Programmable Gate Array loading failed
		All other combinations not used.				

## Chapter Summary

This chapter described how to troubleshoot your adapter module by interpreting the status indicators and module/channel status word error codes.

**Notes:**

## Specifications

### Overview

This appendix contains general and environmental specifications and certifications for the FLEX I/O Very High Speed Counter Module.

#### Input Specifications

Attribute	Value
Number of input channels	2
Number of inputs per counter	2 groups of A/ $\bar{A}$ , B/ $\bar{B}$ , and Z/ $\bar{Z}$ pairs with 5V DC or 15...24V DC terminations
Input voltage	5V DC or 15...24V DC (Determined by terminal base terminations)
Input current	5V DC terminations: 19.1 mA @ 5V DC 25.7 mA @ 6V DC  15...24V DC terminations: 6.1 mA @ 15V DC 10.2 mA @ 24V DC
Voltage, input, off-state	5V DC terminations: $\leq 1.25V$ DC 15...24V DC terminations: $\leq 1.8V$ DC
Current, input, off-state	$\leq 0.25$ mA
Voltage, input, on-state	5V DC terminations: $\geq 2.6V$ DC 15...24V DC terminations: $\geq 12.5V$ DC
Current, input, on-state	$\geq 5$ mA
Voltage, on-state, max	5V DC terminations: $\pm 6V$ 15...24V DC terminations (Refer to Derating Curve)
Input frequency, max	1.0 MHz counter and encoder X1 (no filters) 500 kHz encoder X2 (no filters) 250 kHz encoder X4 (no filters)
Input filter selections	Off, 10 $\mu$ s, 100 $\mu$ s, 1.0ms, 10.0ms per A/B/Z group

#### Output Specifications

Attribute	Value
Number of outputs	2 isolated groups of 2: (0.5A @ 5V DC, max; 1.0A @ 12...24V DC, max)
Output control	Outputs can be tied to 8 compare windows
Voltage range, output supply	5...7V DC; 10...31V DC
Leakage current, off-state	Less than 300 $\mu$ A
Voltage drop, on-state	5V DC terminations: 0.9V DC @ 0.5 A 12...24V DC terminations: 0.9V DC @ 1.0 A

**Output Specifications**

Attribute	Value
Current, on-state, max	5V DC terminations: 0.5 A 12...24V DC terminations: 1.0 A
Current per output pair, max	5V DC terminations: 0.5 A 12...24V DC terminations: 1.0 A
Short circuit current	5V DC terminations: 0.9A 12...24V DC terminations: 4.0A Outputs are short-circuit protected and turned off until power is cycled.
Surge current	2A for 50 ms, repeatable every 2 s
Delay Time Off to On On to Off	25 $\mu$ s (load dependent) 150 $\mu$ s (load dependent)

**General Specifications**

Attribute	Value
Module location	1794-TB3G and 1794-TB3GS
External DC power supply voltage range, nom	24V DC
Supply voltage	19.2...31.2V DC (includes 5% AC ripple)
Supply current	100 mA @ 24V DC
Dimensions, HxWxD (with module installed on terminal base)	94 x 94 x 69 mm (3.7 x 3.7 x 2.7 in.)
Isolation voltage	50V (continuous), Basic Insulation Type, between six isolated areas including: FlexBus Module 24V DC power A0/B0/Z0 inputs A1/B1/Z1 inputs 00/01 and output power supply 1 02/03 and output power supply 2 Tested @ 850V DC for 1 s
FlexBus current	75 mA @ 5V DC (with terminal base power off)
Power dissipation, max	5.0 W @ 31.2V DC
Thermal dissipation, max	17.1 BTU/hr @ 31.2V DC
Indicators (field side driven, logic side indication)	1 green/red power/status indicator 6 yellow input status indicators – logic side 4 yellow output status indicators – logic side
Keyswitch position	1

**Environmental Specifications**

<b>Attribute</b>	<b>Value</b>
Temperature, operating	IEC 60068-2-1 (Test Ad, Operating Cold), IEC 60068-2-2 (Test Bd, Operating Dry Heat), IEC 60068-2-14 (Test Nb, Operating Thermal Shock): 0...55 °C (32...131 °F)
Temperature, nonoperating	IEC 60068-2-1 (Test Ab, Un-packaged Non-operating Cold), IEC 60068-2-2 (Test Bb, Un-packaged Non-operating Dry Heat), IEC 60068-2-14 (Test Na, Un-packaged Non-operating Thermal Shock): -40...85 °C (-40...185 °F)
Relative humidity	IEC 60068-2-30 (Test Db, Unpackaged Damp Heat): 5...95% non-condensing
Vibration	IEC60068-2-6 (Test Fc, Operating): 5g @ 10...500 Hz
Shock, operating	IEC60068-2-27 (Test Ea, Unpackaged shock): 30 g
Shock, nonoperating	IEC60068-2-27 (Test Ea, Unpackaged shock): 50 g
Emissions	CISPR 11: Group 1, Class A (with appropriate enclosure)
ESD Immunity	IEC 61000-4-2: 6 kV contact discharges 8 kV air discharges
Radiated RF immunity	IEC 61000-4-3: 10V/m with 1 kHz sine-wave 80% AM from 80...2000 MHz 10V/m with 200 Hz 50% Pulse 100% AM at 900 MHz 10V/m with 200 Hz 50% Pulse 100% AM at 1890 MHz 10V/m with 1 kHz sine-wave 80% AM from 2000...2700 MHz
EFT/B immunity	IEC 61000-4-4: ±2 kV @ 5 kHz on power ports ±2 kV @ 5 kHz on signal ports
Surge transient immunity	IEC 61000-4-5: ±1 kV line-line(DM) and ±2 kV line-earth(CM) on power ports ±1 kV line-line(DM) and ±2 kV line-earth(CM) on signal ports ±2 kV line-earth(CM) on shielded ports
Conducted RF immunity	IEC 61000-4-6: 10V rms with 1 kHz sine-wave 80%AM from 150 kHz...80 MHz
Enclosure type rating	None (open-style)
Wire size	Determined by installed terminal base
Wiring category <sup>(1)</sup>	2 – on signal ports 2 – on power ports
Terminal base screw torque	Determined by installed terminal base

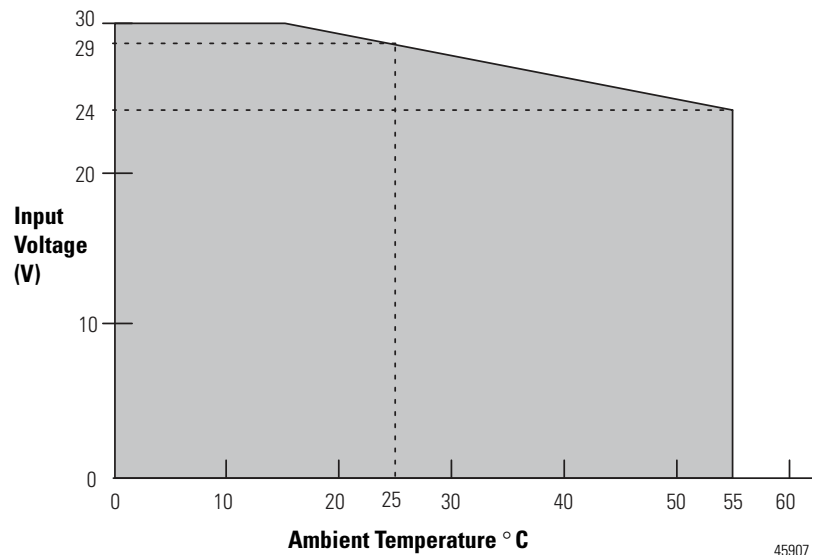
<sup>(1)</sup> Use this Conductor Category information for planning conductor routing. Refer to Industrial Automation Wiring and Grounding Guidelines, publication [1770-4.1](#).

### Certifications

Certification (when product is marked) <sup>(1)</sup>	Description
CE	European Union 2004/108/EC EMC Directive, compliant with: EN 61326-1; Meas./Control/Lab., Industrial Requirements EN 61000-6-2; Industrial Immunity EN 61000-6-4; Industrial Emissions EN 61131-2; Programmable Controllers (Clause 8, Zone A & B)
C-Tick	Australian Radiocommunications Act, compliant with: AS/NZS CISPR 11; Industrial Emissions
KC	Korean Registration of Broadcasting and Communications Equipment, compliant with: Article 58-2 of Radio Waves Act, Clause 3

<sup>(1)</sup> See the Product Certification link at [www.ab.com](http://www.ab.com) for Declarations of Conformity, Certificates, and other certification details.

### Derating Curve



The area within the curve represents the safe operating range for the module under various conditions of user supplied 24V DC supply voltages and ambient temperatures. This includes all possible mounting positions, including inverted horizontal.

45907

## **Programming Your Very High Speed Counter Module**

To initiate communication between the 1794-VHSC very high speed counter module and your PLC processor, you must use RSLogix 5000 software.

Refer to the RSLogix software manuals for information on communicating with this 1794-VHSC very high speed counter module.

**Notes:**



## Numerics

**1794-TB3G** 25, 27, 28, 29

**1794-TB3GK** 27, 28, 29

**1794-TB3GS** 25, 27, 28, 29

**1794-VHSC** 34, 49

description 5

features 5

interpret status indicator 49

## A

**adapter** 21, 23, 24, 25, 29

1794-VHSC 21

capabilities 27

install 21

maximum capacity 27

**additional resources** 3

## B

**backplane** 23, 26

**behavior**

communication fault 36

idle state 36

input data 36

## C

**cabling**

length 29

power 29

**chassis** 28, 29

**codes**

diagnostic 51

error 51

**compatible**

terminal base 28

**configuration**

error 34

**connect** 28

**connector** 26

female 22

FlexBus 23

male 22

**count**

scale 10

store 10

**counter mode**

continuous 8

**counters**

reset 10

**current draw** 21

## D

**daisychain** 29

**data transfer**

scheduled 34

unscheduled 34

**definitions**

bit/word 41

**dimensions**

drilling 25

**DIN rail** 21, 23

**drilling**

illustration 25

## E

**encoder mode**

X1 8

X2 8

X4 8

## F

**female connector** 22

**FLEX I/O**

VHSC 27

**FlexBus** 18, 22, 23, 24, 26

connector 23, 26

interruption 22

## I

**I/O data transfer**

non-discrete 34

**I/O map** 34

**I/O module**

fault 36

fault bits 35

**I/O status** 35

**indicator**

state 50

status 50

**indicators**

interpret 49

**input**

data behavior 36

gate/reset 10

**install**

physically 21

**installation** 23

drilling 24

- hazardous location 26
- install connecting wiring 22
- install module 21
- mount terminal base 21
- mounting kit 24
- terminal base mounting 25
- wall or panel mounting 24

## K

- keyswitch** 25
  - position 25

## L

- location**
  - hazardous 26

## M

- male connector** 22
- messaging**
  - from programming devices 34
  - peer-to-peer 34
- mode**
  - continuous/rate 14
  - period/rate 14
  - rate measurement 15
- module**
  - installation 21
  - position 29
  - specifications 53
- mounting kit** 24

## N

- network**
  - EtherNet/IP 21

## O

- operation**
  - unintended 22
- output**
  - values 18
- outputs**
  - connecting to counters 18
  - enabling 17
  - force 17
  - isolation 18

## P

- panel**
  - mounting 24
- power**
  - backplane 26
  - cabling 29
  - module 29
  - supply 29

## S

- specification**
  - DIN rail 23
- specifications**
  - certifications 56
  - derating curve 56
  - environmental 55
  - general 53
- status indicator** 49, 54

## T

- terminal base** 22, 24, 26, 27, 28, 29, 36
  - grounding 29
  - replace 22
  - wiring 28
- terminal base unit** 28

## U

- unscheduled**
  - messaging 34
  - operations 34

## V

- value**
  - rollover 10
  - scaler 12, 14
- VHSC module**
  - wiring 28

## W

- wiring** 24, 28, 29
  - 1794-TB3G, 1794-TB3GS, 1794-TB3GK 27
  - connect 29
  - connecting 22
  - frequency module 28



# Rockwell Automation Support

Rockwell Automation provides technical information on the Web to assist you in using its products.

At <http://www.rockwellautomation.com/support/>, you can find technical manuals, a knowledge base of FAQs, technical and application notes, sample code and links to software service packs, and a MySupport feature that you can customize to make the best use of these tools.

For an additional level of technical phone support for installation, configuration, and troubleshooting, we offer TechConnect support programs. For more information, contact your local distributor or Rockwell Automation representative, or visit <http://www.rockwellautomation.com/support/>.

## Installation Assistance

If you experience a problem within the first 24 hours of installation, review the information that is contained in this manual.

You can contact Customer Support for initial help in getting your product up and running.

United States or Canada	1.440.646.3434
Outside United States or Canada	Use the <a href="#">Worldwide Locator</a> at <a href="http://www.rockwellautomation.com/support/americas/phone_en.html">http://www.rockwellautomation.com/support/americas/phone_en.html</a> , or contact your local Rockwell Automation representative.

## New Product Satisfaction Return

Rockwell Automation tests all of its products to ensure that they are fully operational when shipped from the manufacturing facility. However, if your product is not functioning and needs to be returned, follow these procedures.

United States	Contact your distributor. You must provide a Customer Support case number (call the phone number above to obtain one) to your distributor to complete the return process.
Outside United States	Please contact your local Rockwell Automation representative for the return procedure.

## Documentation Feedback

Your comments will help us serve your documentation needs better. If you have any suggestions on how to improve this document, complete this form, publication [RA-DU002](#), available at <http://www.rockwellautomation.com/literature/>.

Rockwell Otomasyon Ticaret A.Ş., Kar Plaza İş Merkezi E Blok Kat:6 34752 İçerenköy, İstanbul, Tel: +90 (216) 5698400

**[www.rockwellautomation.com](http://www.rockwellautomation.com)**

---

### Power, Control and Information Solutions Headquarters

Americas: Rockwell Automation, 1201 South Second Street, Milwaukee, WI 53204-2496 USA, Tel: (1) 414.382.2000, Fax: (1) 414.382.4444

Europe/Middle East/Africa: Rockwell Automation NV, Pegasus Park, De Kleetlaan 12a, 1831 Diegem, Belgium, Tel: (32) 2 663 0600, Fax: (32) 2 663 0640

Asia Pacific: Rockwell Automation, Level 14, Core F, Cyberport 3, 100 Cyberport Road, Hong Kong, Tel: (852) 2887 4788, Fax: (852) 2508 1846

Rockwell Automation Publication 1794-UM010D-EN-E - July 2013

Copyright © 2013 Rockwell Automation, Inc. All rights reserved.